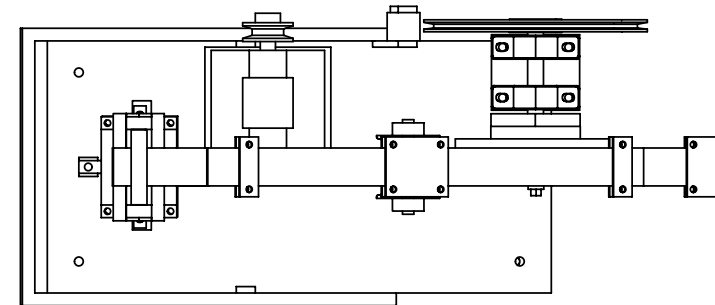
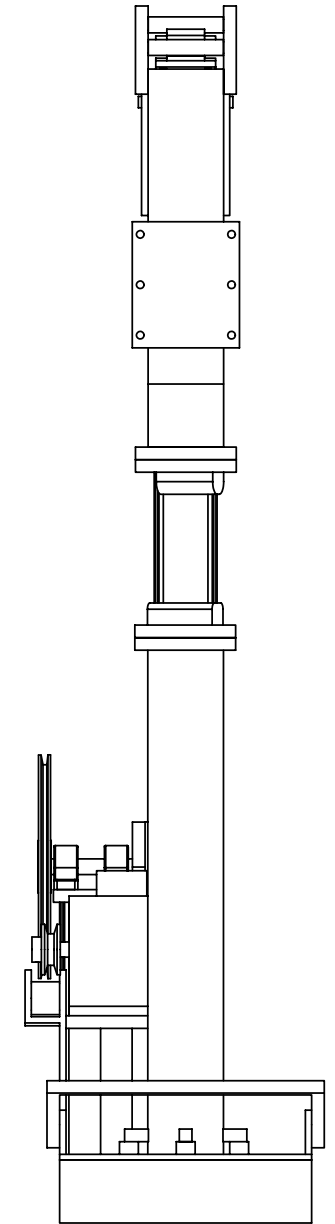
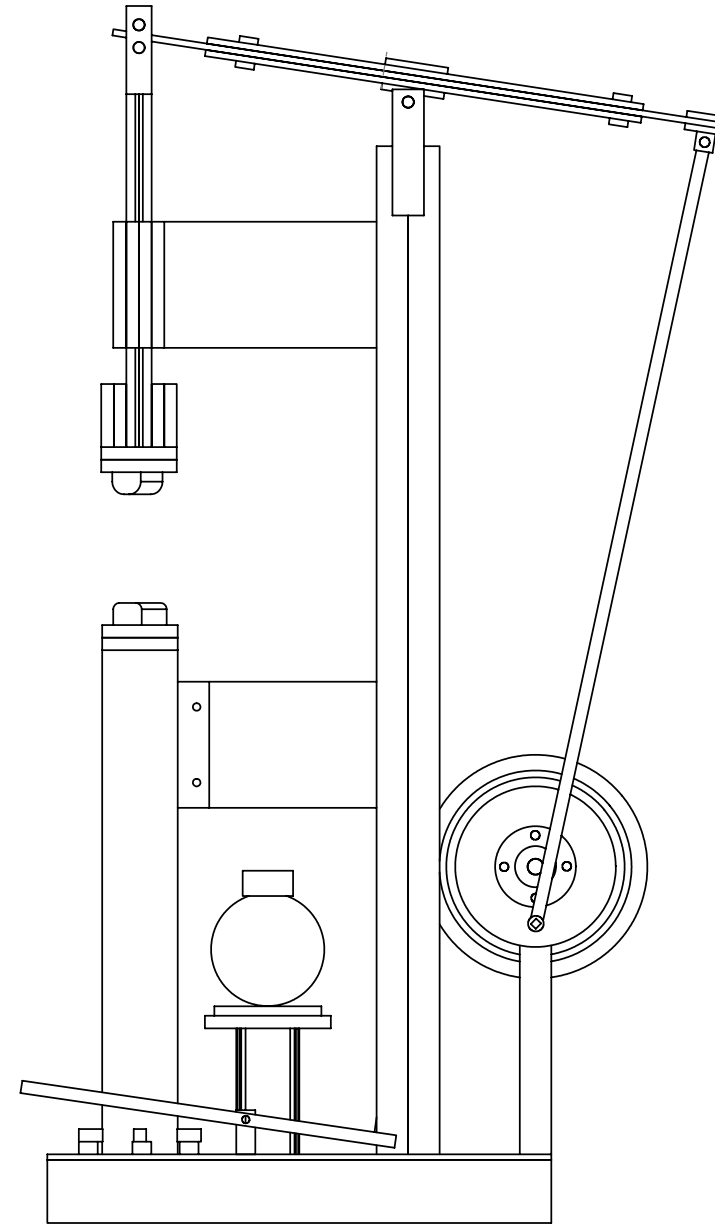
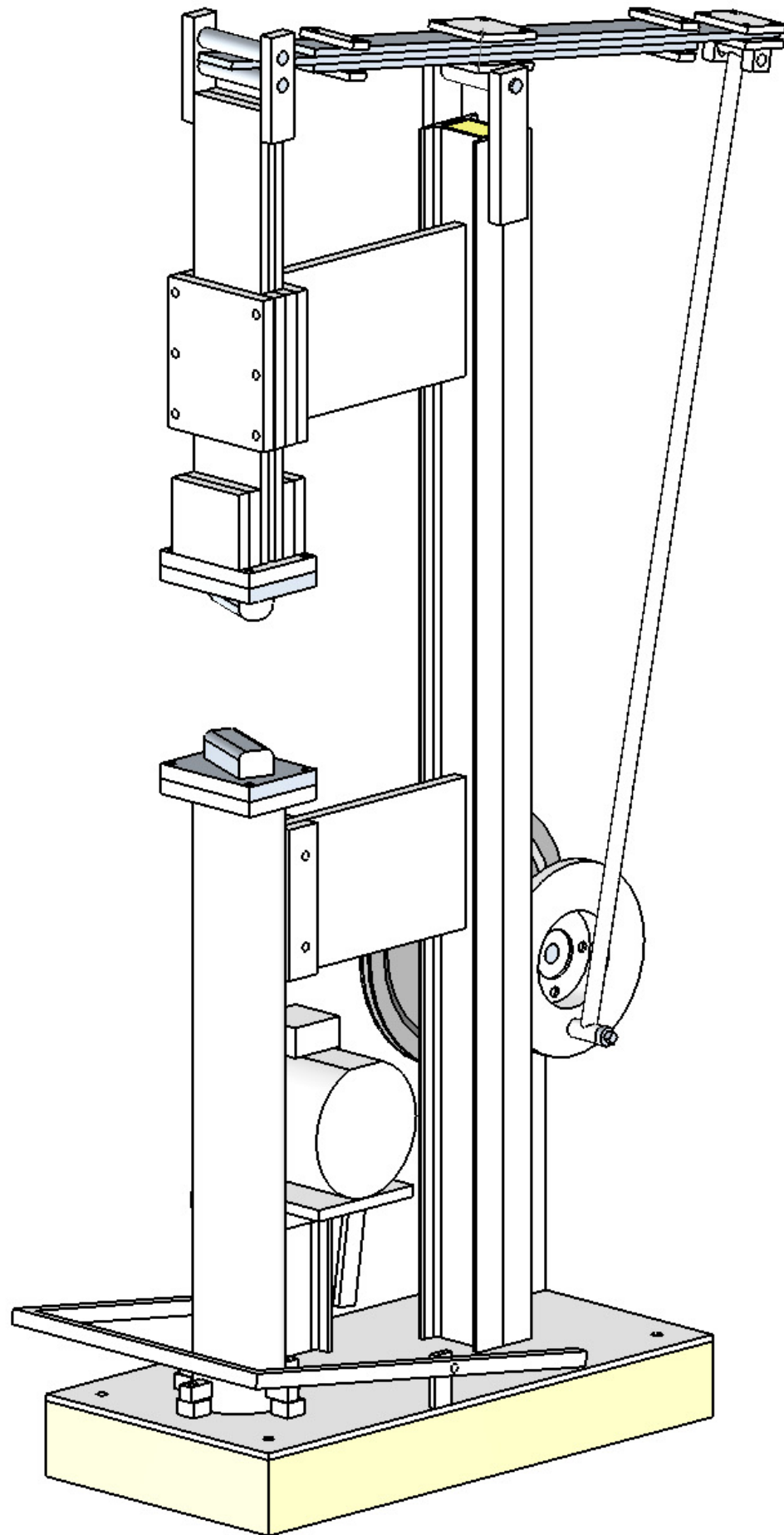


Copyright: FERRUM D. Gentile
<http://www.ferrum.cc>

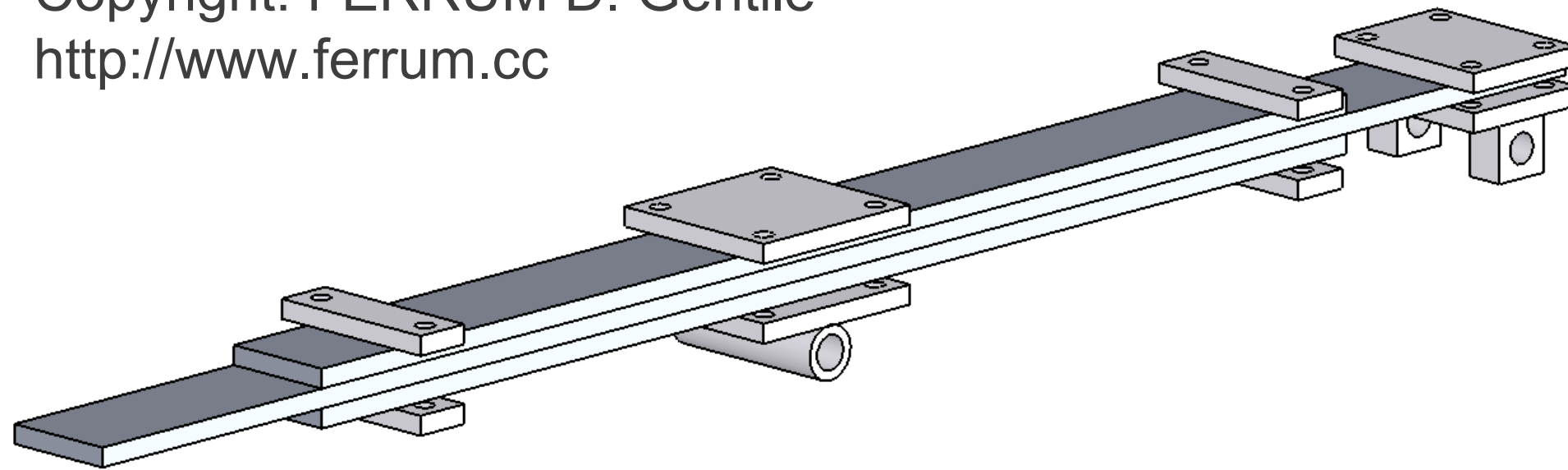


UNLESS OTHERWISE SPECIFIED:
 DIMENSIONS ARE IN MILLIMETERS
 SURFACE FINISH:
 TOLERANCES:
 LINEAR:
 ANGULAR:
 FINISH:
 DEBUR AND
 BREAK SHARP
 EDGES

	NAME	SIGNATURE	DATE		
DRAWN					
CHK'D					
APPV'D					
MFG					
Q.A					
				MATERIAL:	
				WEIGHT: 275 KG	

DO NOT SCALE DRAWING		REVISION
FERRUM D. Gentile		
TITLE:		
Krusty, 3D		
DWG NO.		"Krusty"
SCALE		A3
		SHEET 1 OF 17

Copyright: FERRUM D. Gentile
<http://www.ferrum.cc>



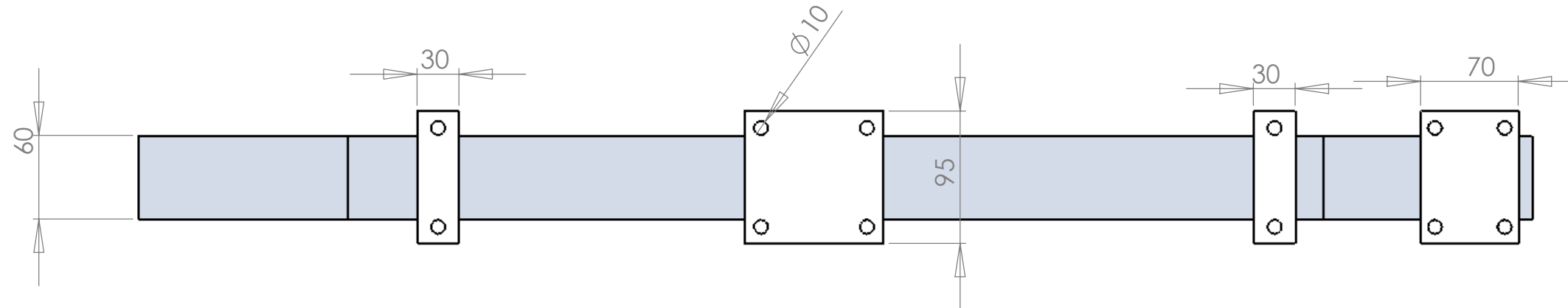
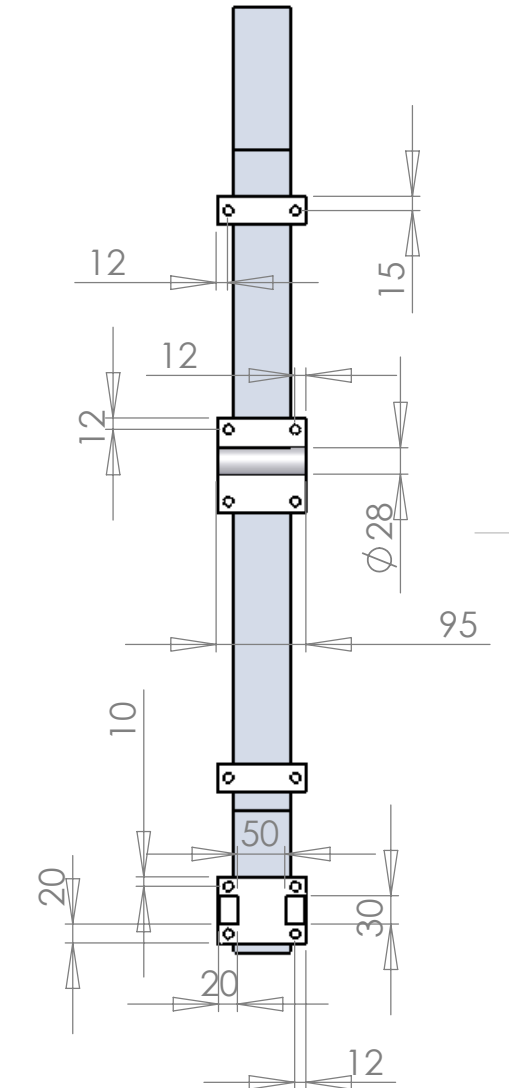
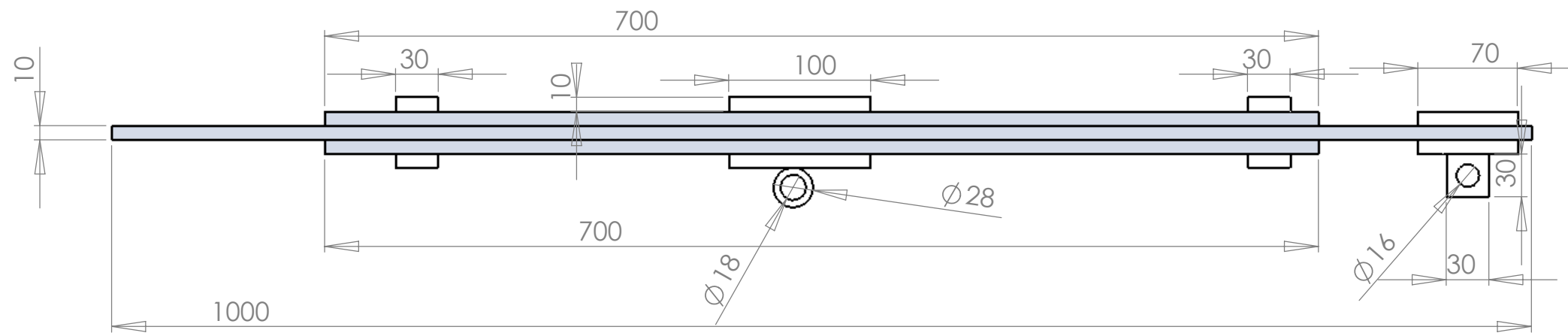
Materialhinweise:

Federn

- 2x 60x700
- 1x 60x1000
- Stahl: Böhler F128 (1.7108)

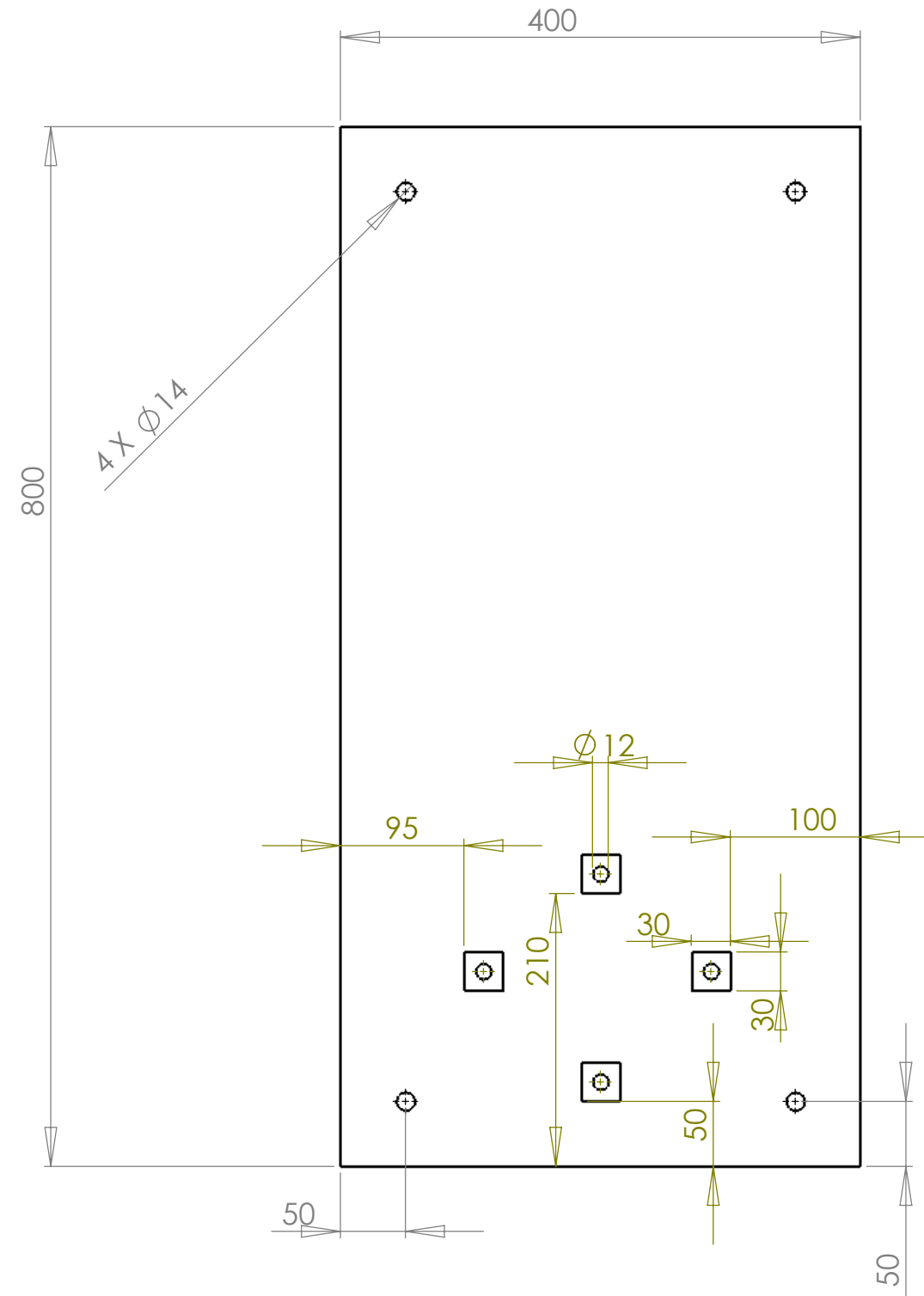
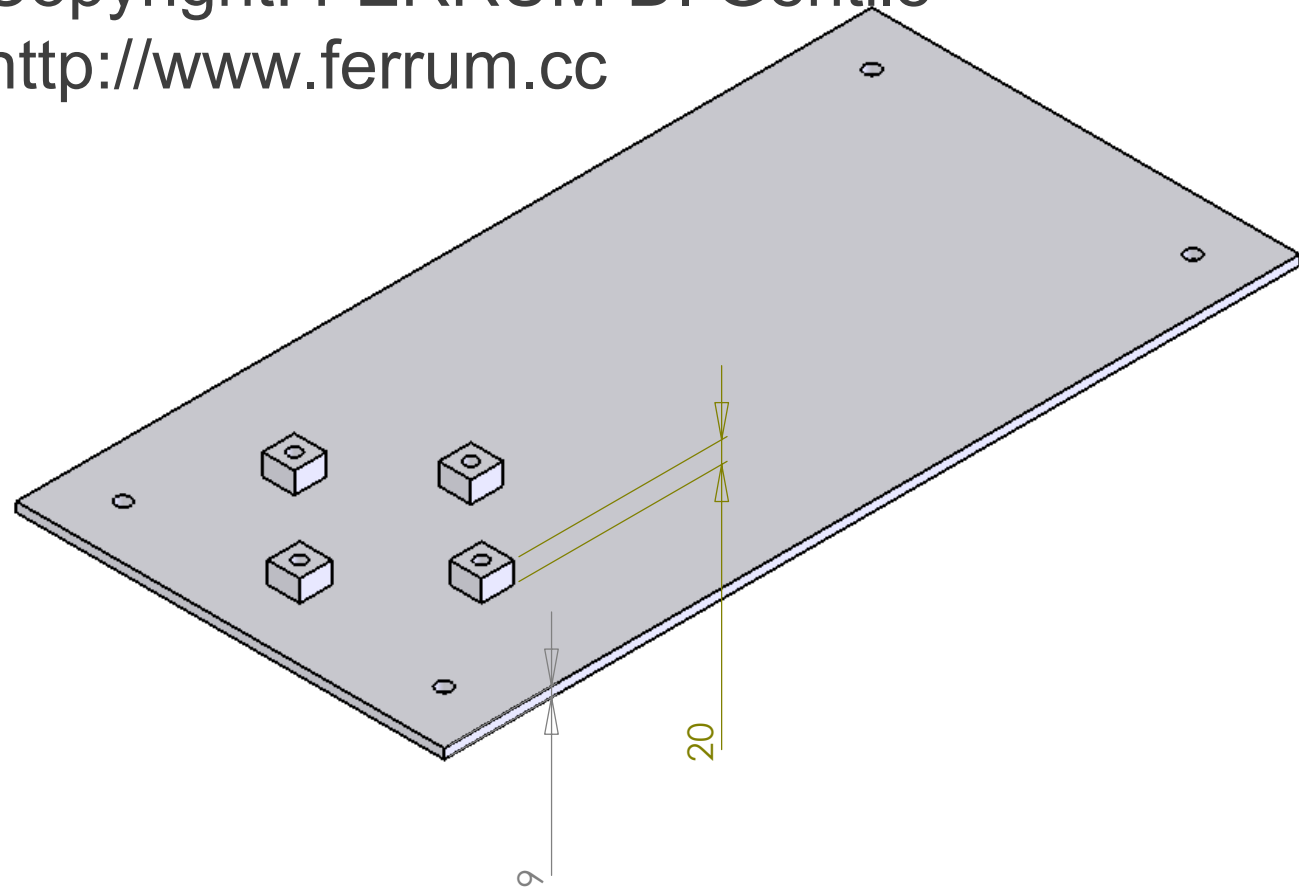
Halter

- 4x 30x95x10
- 2x 100x95x10
- 2x 70x95x10
- Baustahl



UNLESS OTHERWISE SPECIFIED: DIMENSIONS ARE IN MILLIMETERS SURFACE FINISH: TOLERANCES: LINEAR: ANGULAR:		FINISH:	DEBUR AND BREAK SHARP EDGES		DO NOT SCALE DRAWING	REVISION
					FERRUM D. Gentile	
					Federsystem	
DRAWN	NAME	SIGNATURE	DATE		DWG NO.	A3
CHK'D						
APPV'D						
MFG						
Q.A				MATERIAL:		
				WEIGHT:	SCALE	SHEET 2 OF 17

Copyright: FERRUM D. Gentile
<http://www.ferrum.cc>

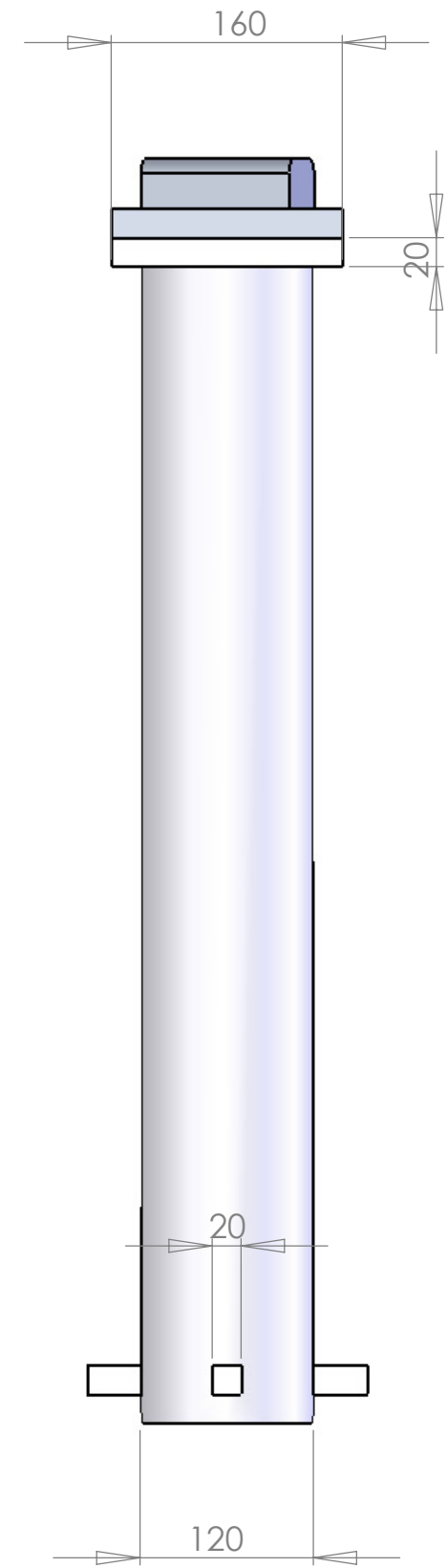
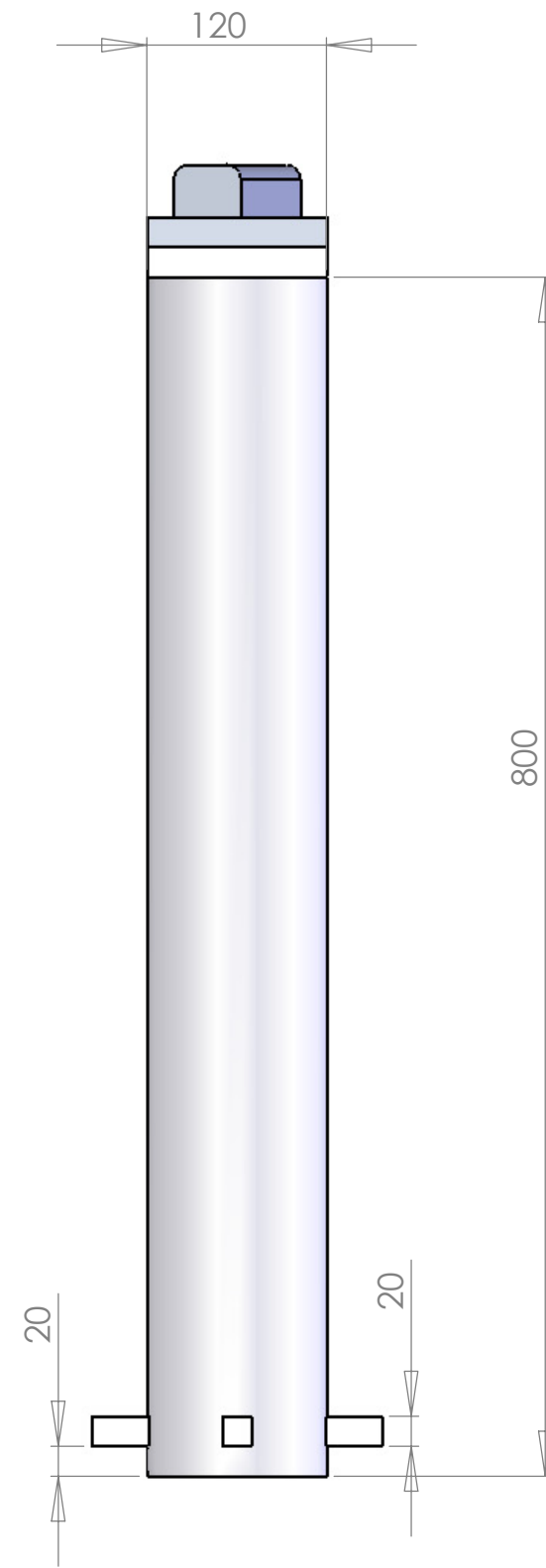
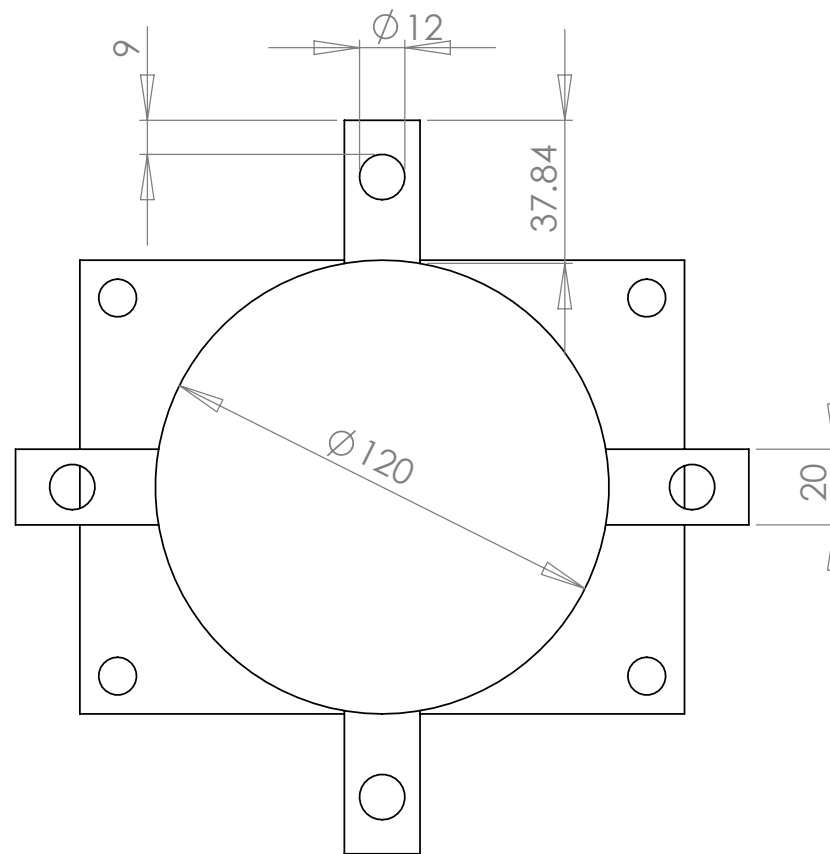
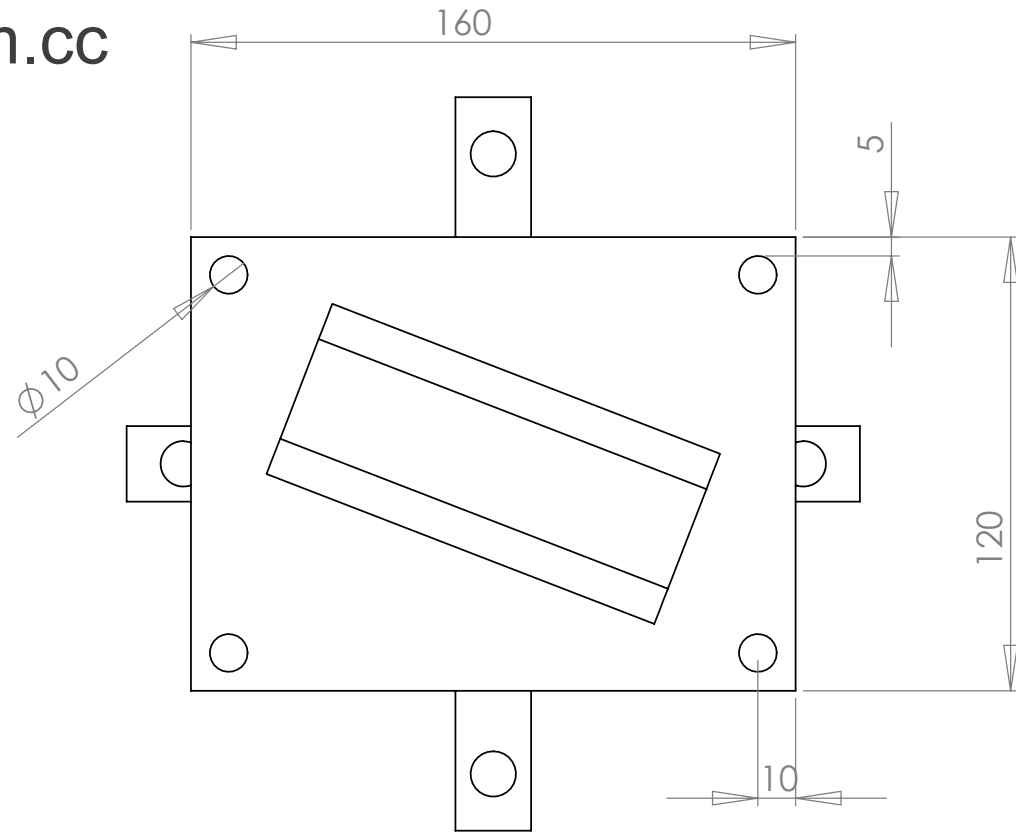
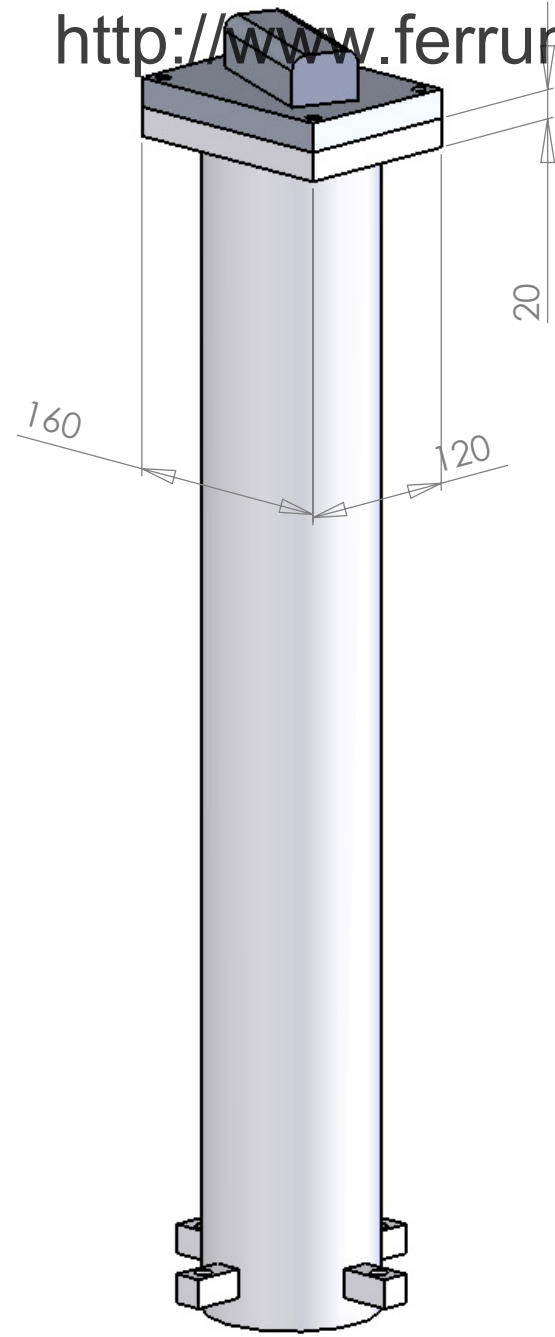


UNLESS OTHERWISE SPECIFIED: DIMENSIONS ARE IN MILLIMETERS SURFACE FINISH: TOLERANCES: LINEAR: ANGULAR:				FINISH:		DEBUR AND BREAK SHARP EDGES		DO NOT SCALE DRAWING		REVISION			
								FERRUM D. Gentile					
								Bodenplatte					
								DWG NO.		krusty		A3	
								SCALE:		SHEET 3 OF 17			

	NAME	SIGNATURE	DATE				
DRAWN							
CHK'D							
APPV'D							
MFG							
Q.A							
				MATERIAL:			
				WEIGHT:			

Copyright: FERRUM D. Gentile

<http://www.ferrum.cc>



UNLESS OTHERWISE SPECIFIED:
DIMENSIONS ARE IN MILLIMETERS
SURFACE FINISH:
TOLERANCES:
LINEAR:
ANGULAR:

FINISH:

DEBUR AND
BREAK SHARP
EDGES

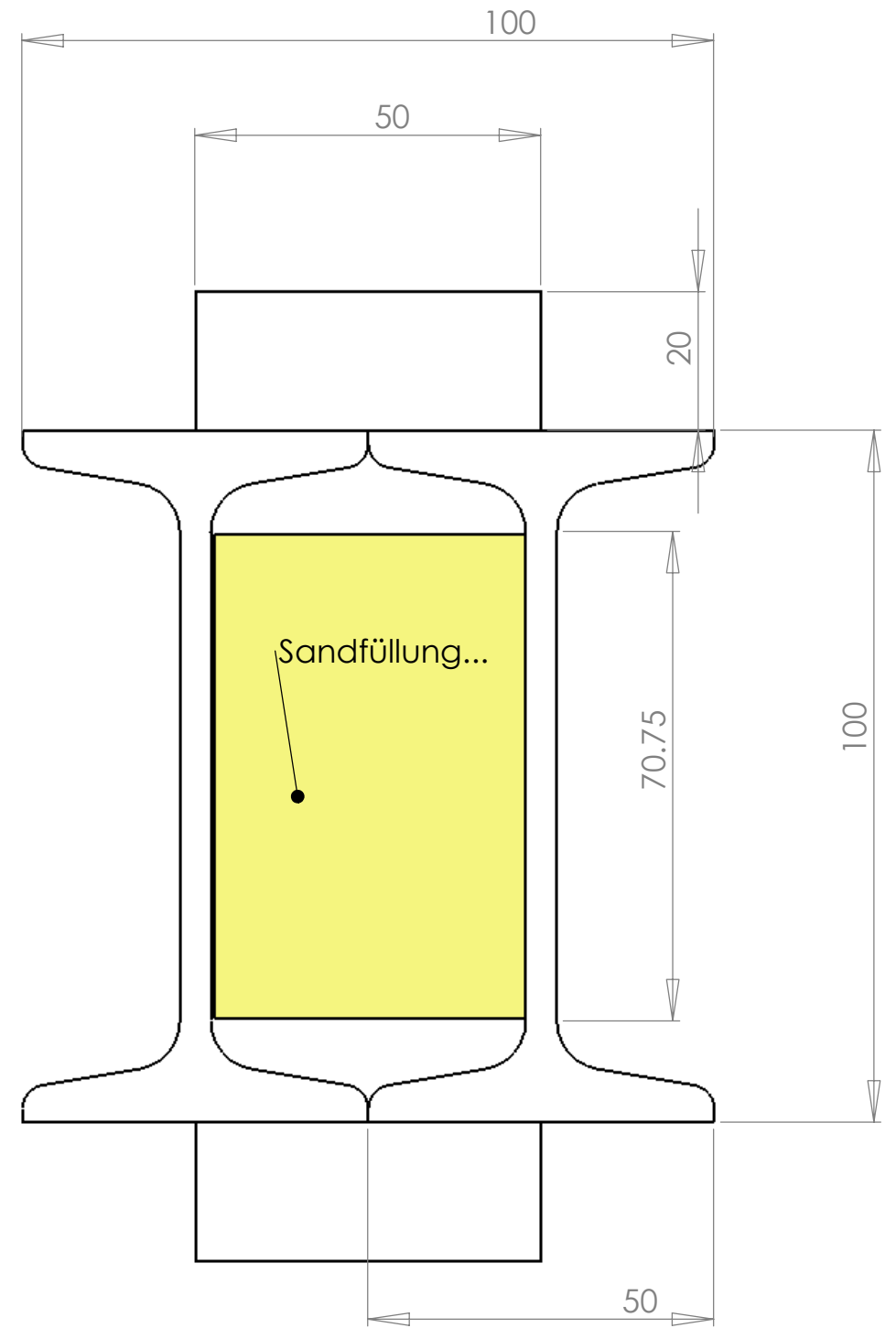
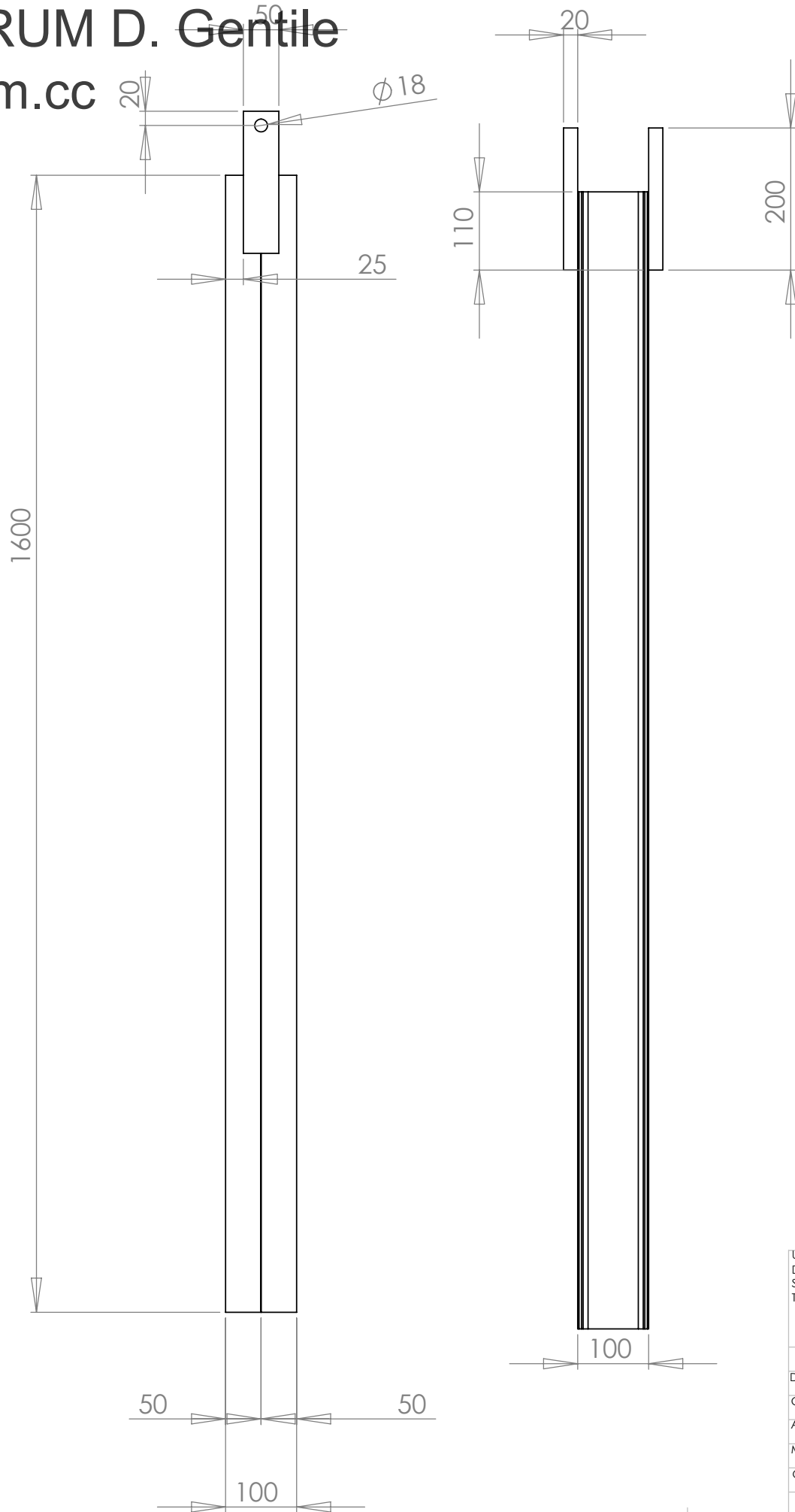
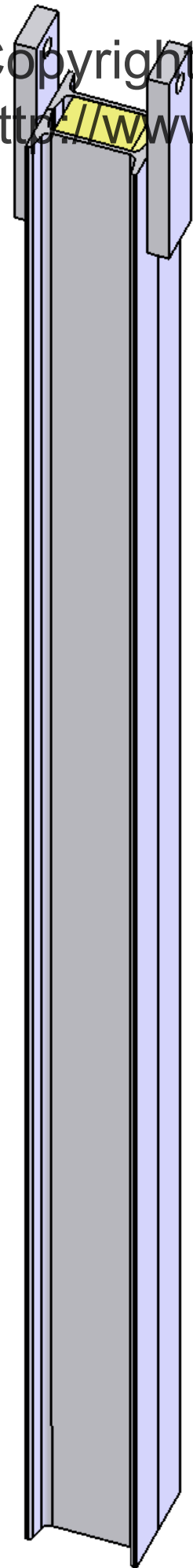
DO NOT SCALE DRAWING

REVISION

	NAME	SIGNATURE	DATE		
DRAWN					
CHK'D					
APPV'D					
MFG					
Q.A					
				MATERIAL:	
				WEIGHT:	

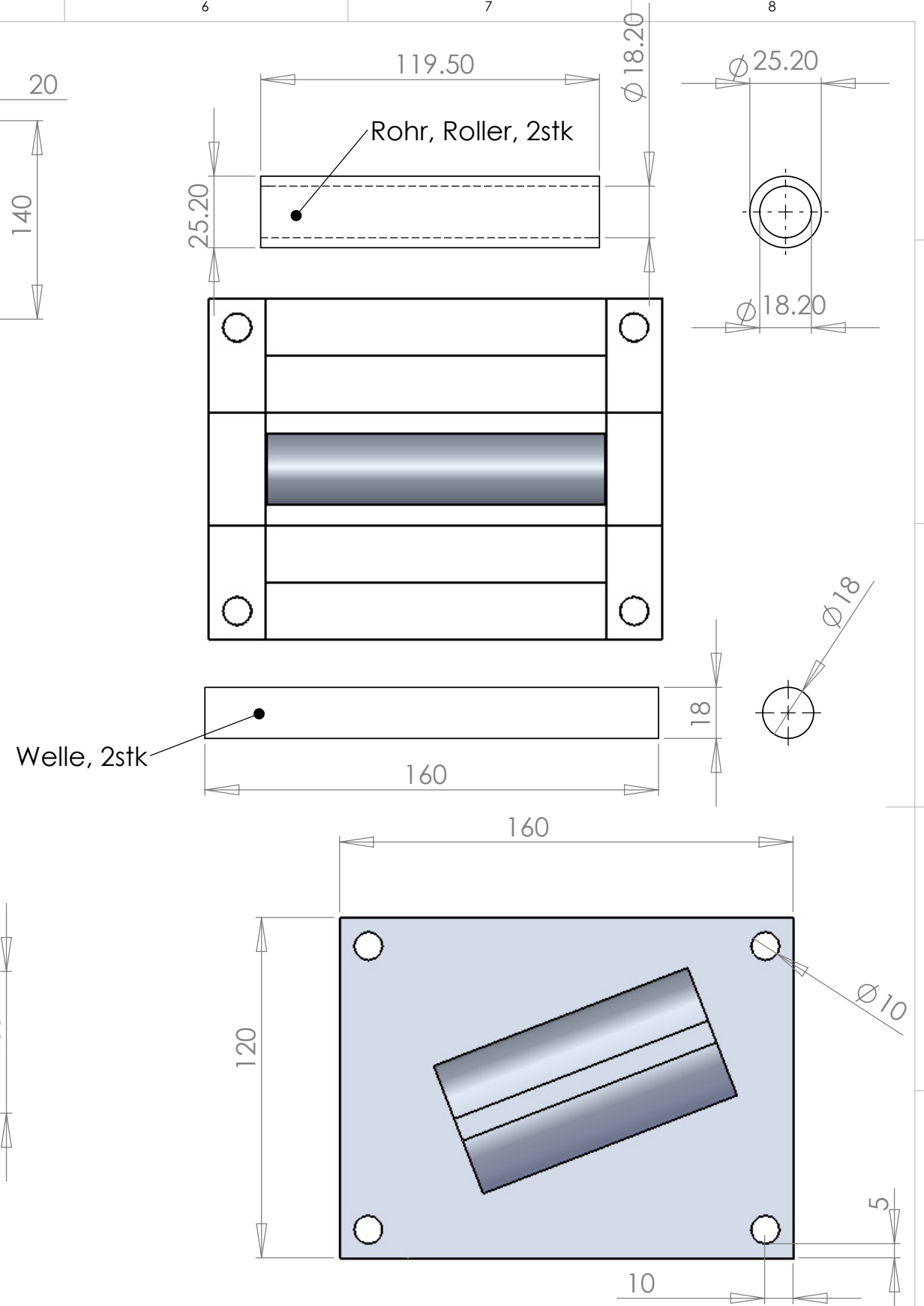
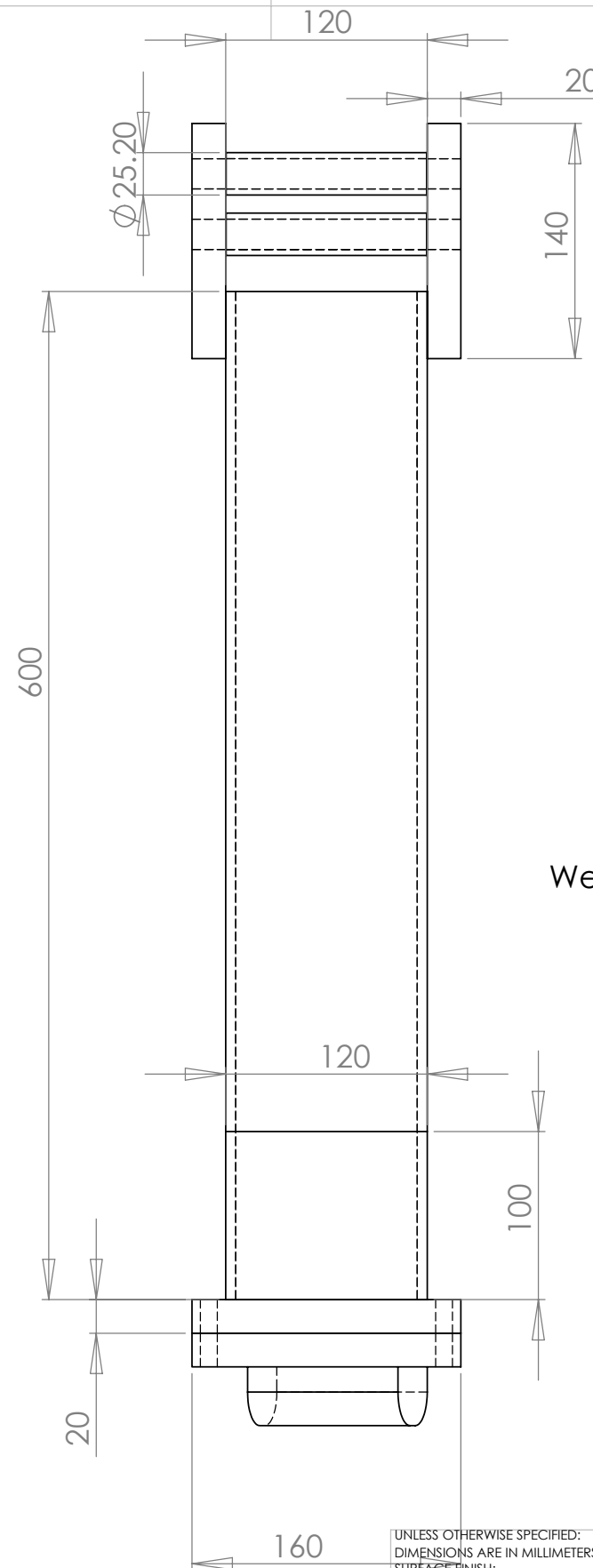
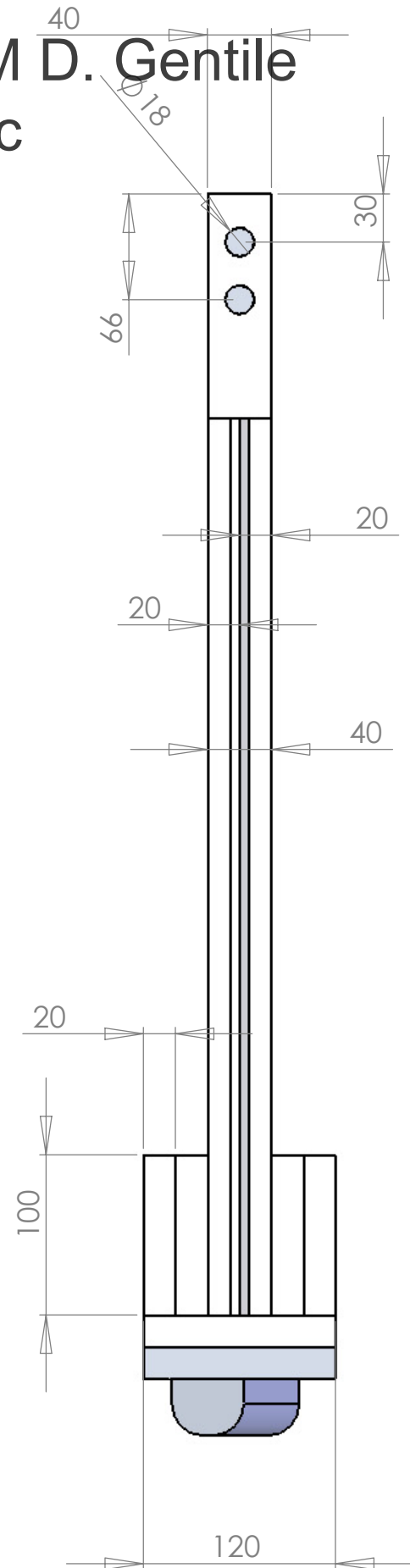
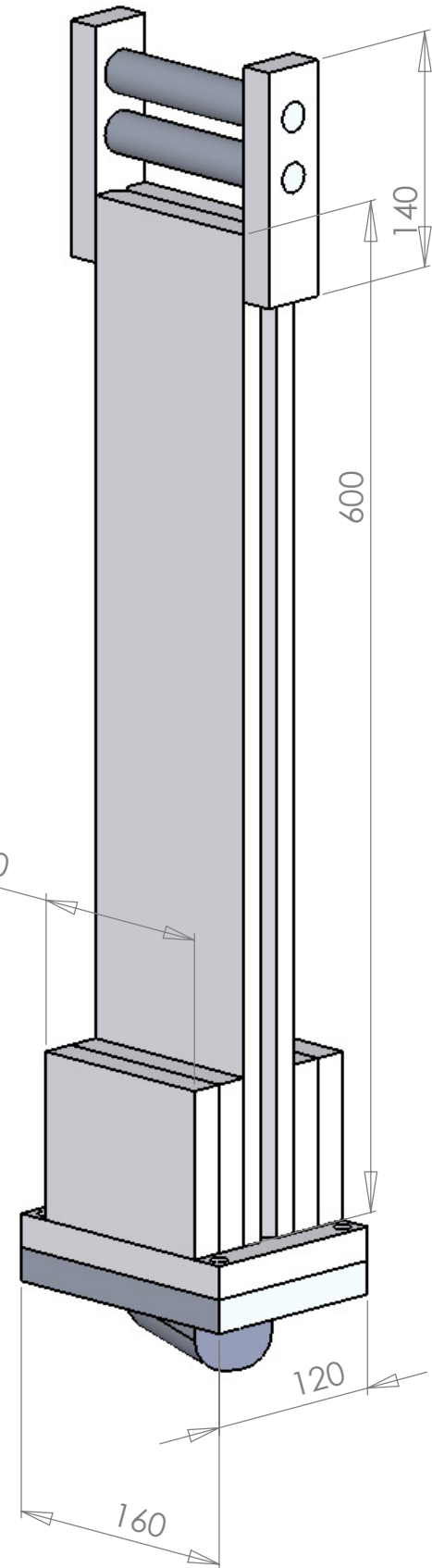
TITLE:		FERRUM D. Gentile	
TITLE:		Chabotte (Amboss)	
DWG NO.	krusty		A3
SCALE:			SHEET 4 OF 17

Copyright: FERRUM D. Gentile
<http://www.ferrum.cc>



UNLESS OTHERWISE SPECIFIED: DIMENSIONS ARE IN MILLIMETERS SURFACE FINISH: TOLERANCES: LINEAR: ANGULAR:				FINISH:		DEBUR AND BREAK SHARP EDGES		DO NOT SCALE DRAWING		REVISION	
DRAWN								TITLE:			
CHK'D								FERRUM D. Gentile			
APPV'D											
MFG								Hauptträger			
Q.A											
MATERIAL:								DWG NO.		A3	
WEIGHT:								SCALE:		SHEET 5 OF 17	
krusty											

Copyright: FERRUM D. Gentile
<http://www.ferrum.cc>



UNLESS OTHERWISE SPECIFIED:
 DIMENSIONS ARE IN MILLIMETERS
 SURFACE FINISH:
 TOLERANCES:
 LINEAR:
 ANGULAR:

FINISH:

DEBUR AND
 BREAK SHARP
 EDGES

DO NOT SCALE DRAWING

REVISION

FERRUM D. Gentile

Bär (Hammer)

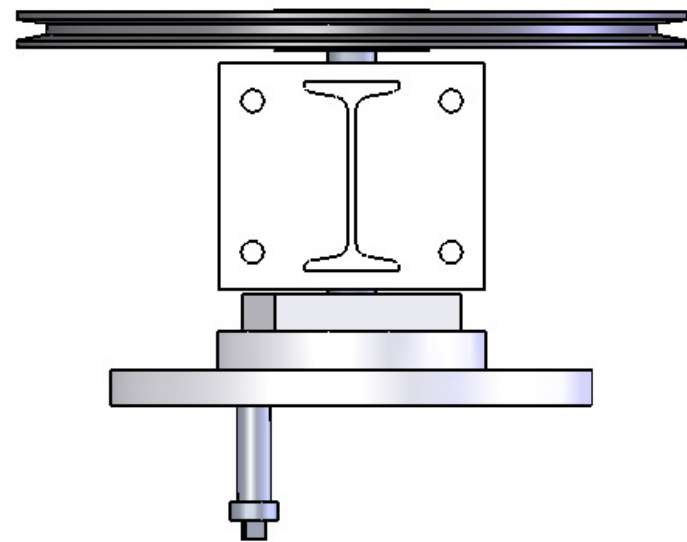
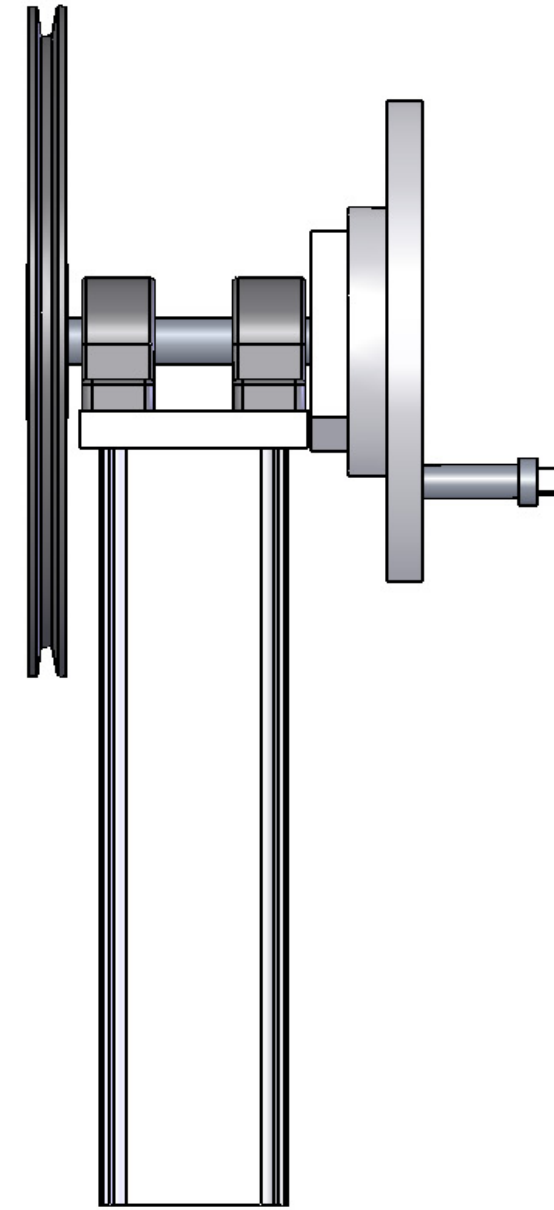
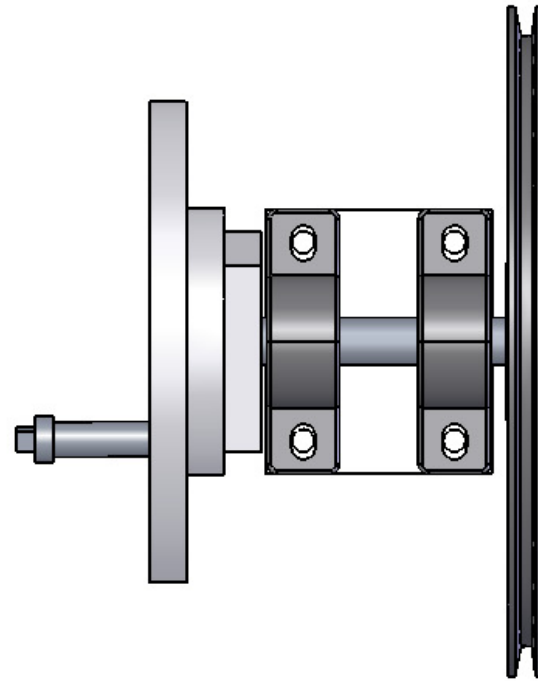
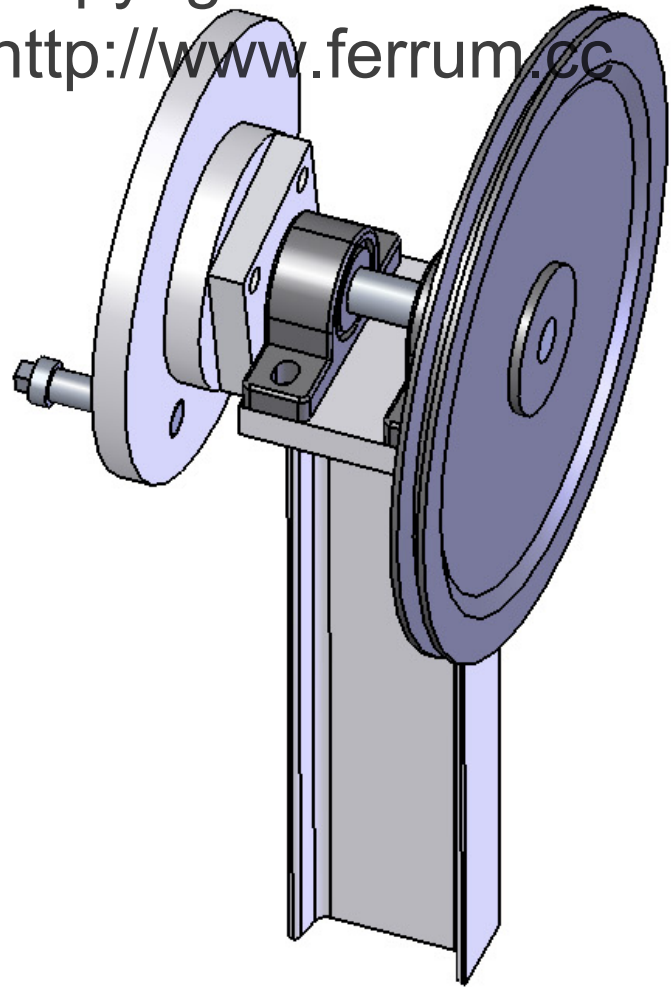
krusty

A3

	NAME	SIGNATURE	DATE		
DRAWN					
CHK'D					
APPV'D					
MFG					
Q.A					
				MATERIAL:	
				WEIGHT:	

TITLE:	FERRUM D. Gentile	
DWG NO.	krusty	A3
SCALE:	SHEET 6 OF 17	

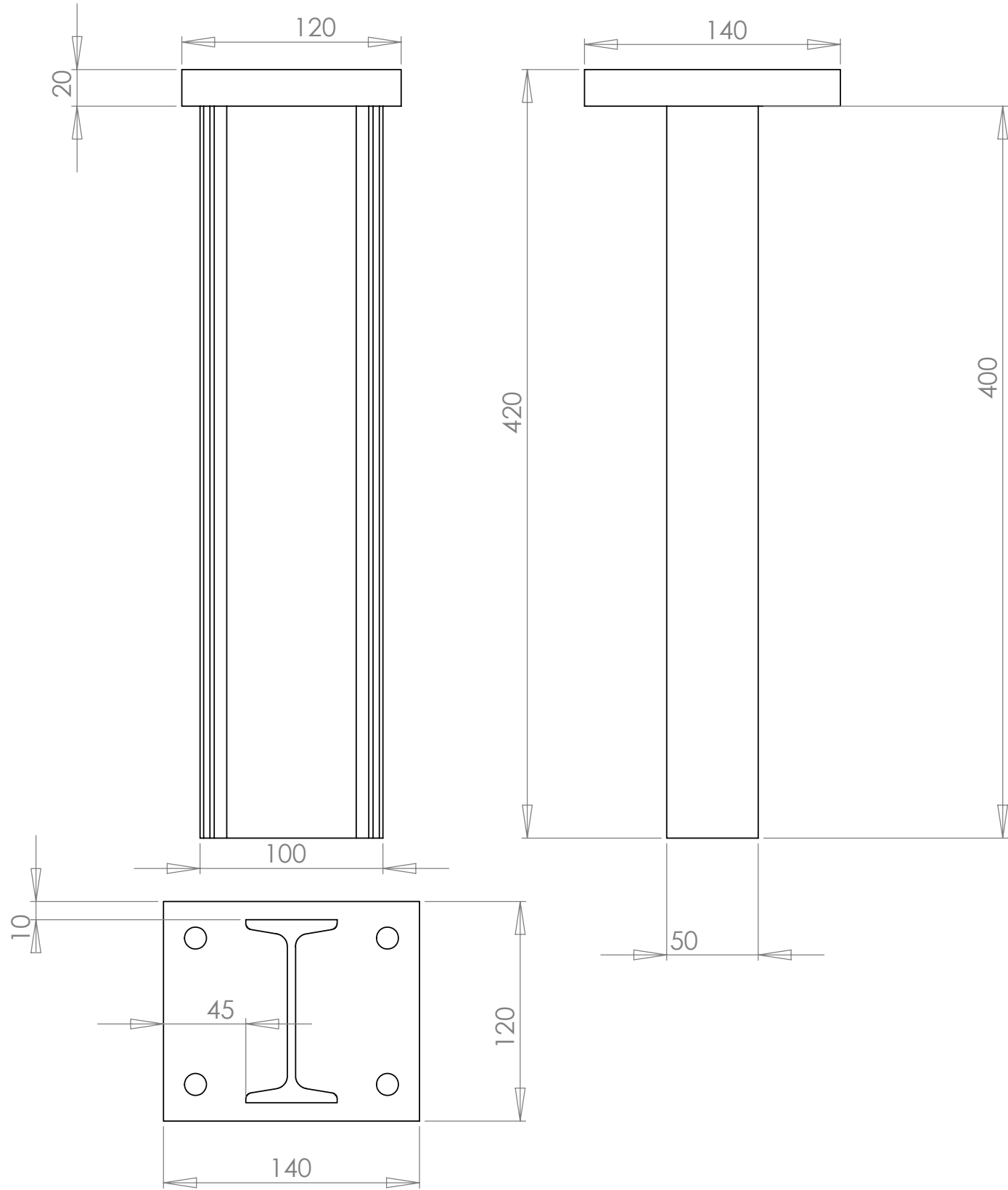
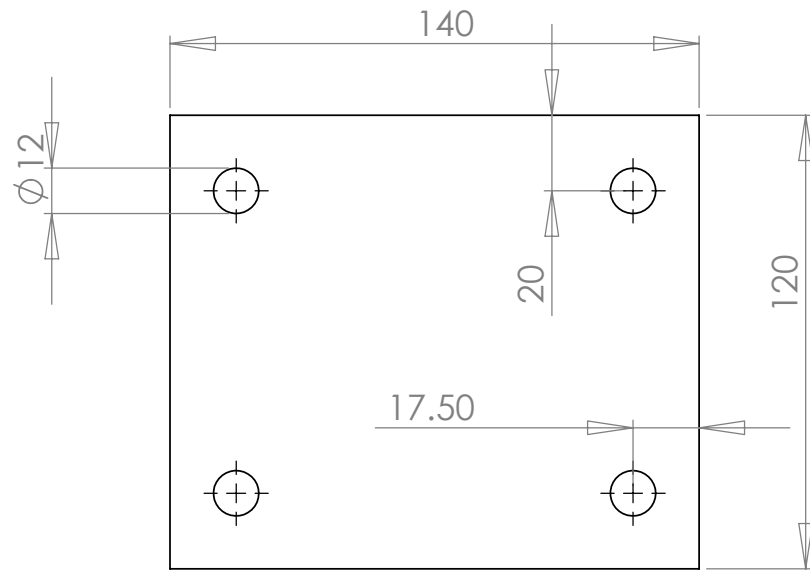
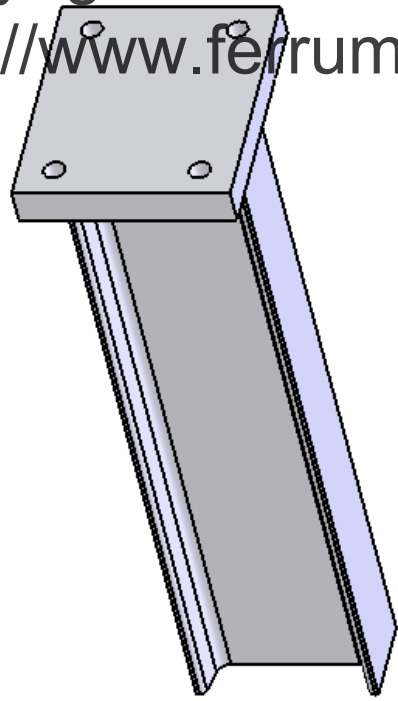
Copyright: FERRUM D. Gentile
<http://www.ferrum.cc>



UNLESS OTHERWISE SPECIFIED: DIMENSIONS ARE IN MILLIMETERS SURFACE FINISH: TOLERANCES: LINEAR: ANGULAR:			FINISH:		DEBUR AND BREAK SHARP EDGES		DO NOT SCALE DRAWING		REVISION			
							FERRUM D. Gentile					
							TITLE: Radhalter, 1.					
							DWG NO.		krusty			A3
							WEIGHT:		SCALE:		SHEET 9 OF 17	

	NAME	SIGNATURE	DATE			
DRAWN						
CHK'D						
APPV'D						
MFG						
Q.A						

Copyright: FERRUM D. Gentile
<http://www.ferrum.cc>



UNLESS OTHERWISE SPECIFIED:
 DIMENSIONS ARE IN MILLIMETERS
 SURFACE FINISH:
 TOLERANCES:
 LINEAR:
 ANGULAR:

FINISH:

DEBUR AND
 BREAK SHARP
 EDGES

DO NOT SCALE DRAWING

REVISION

FERRUM D. Gentile

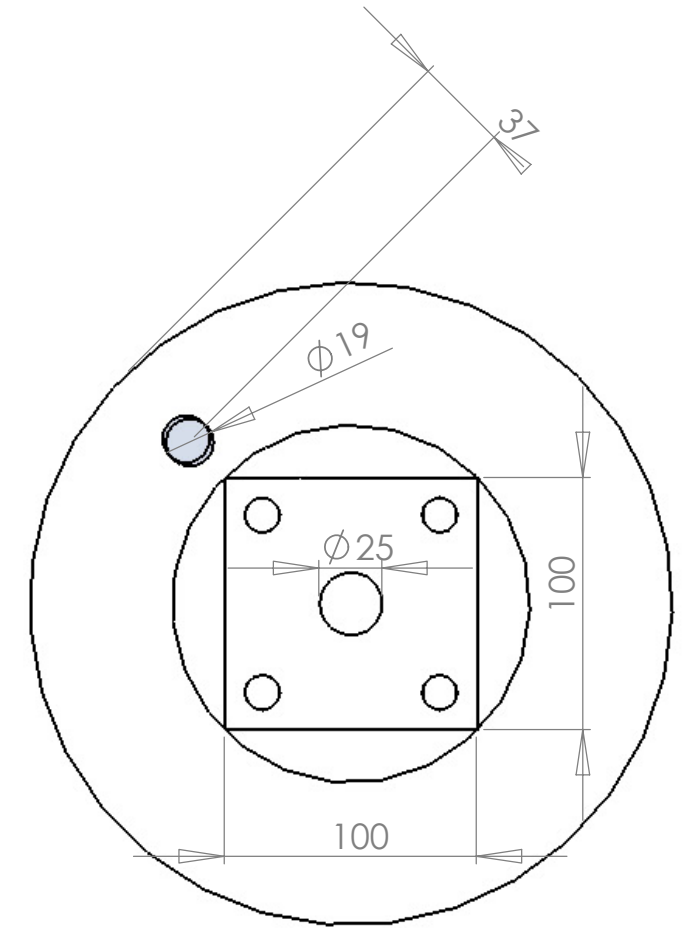
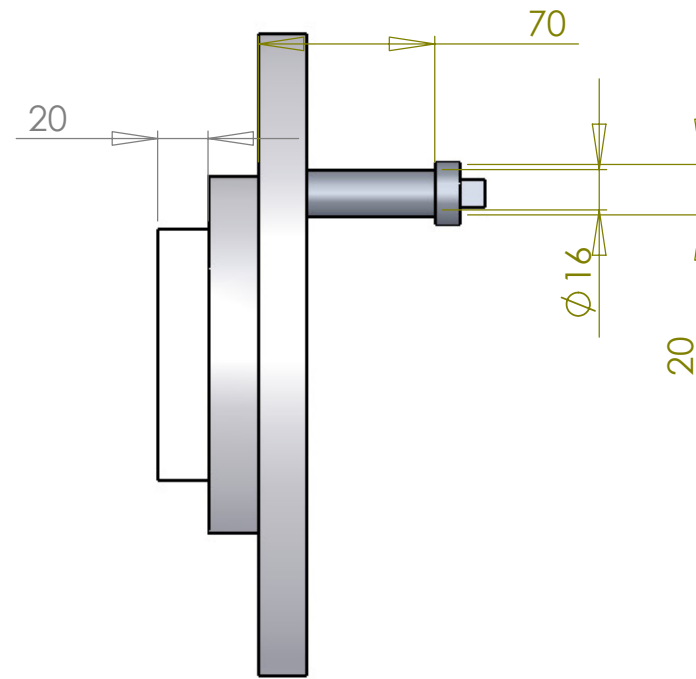
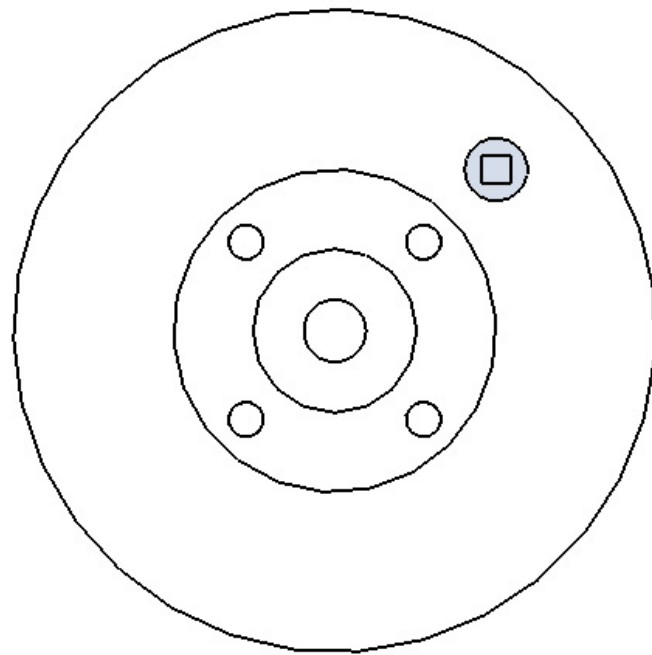
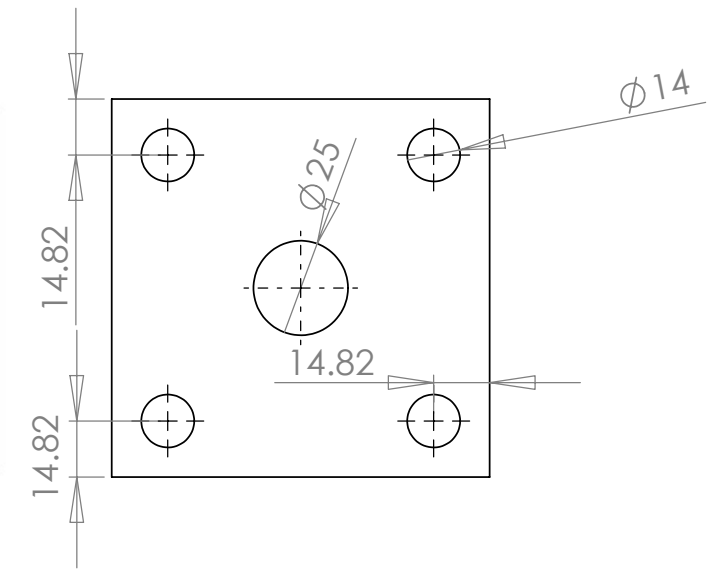
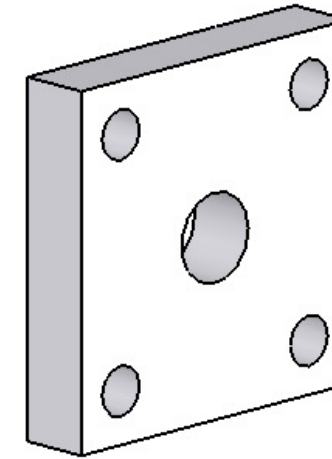
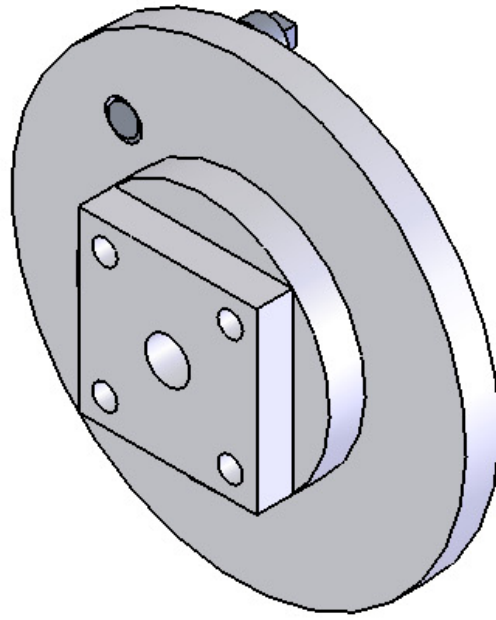
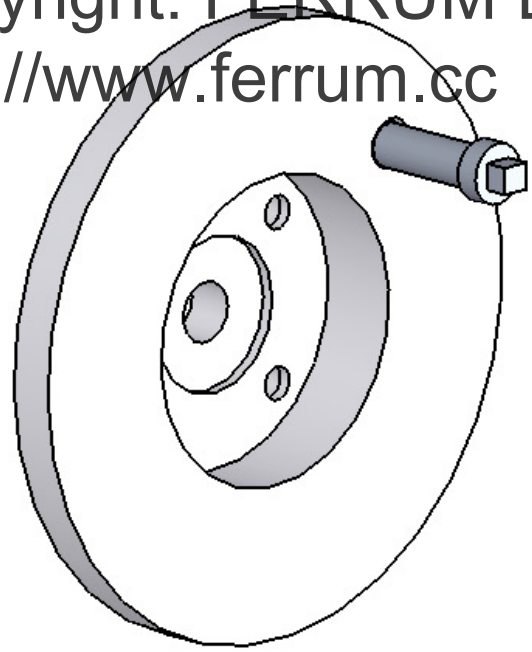
Rad Halter, 2.

krusty

	NAME	SIGNATURE	DATE		
DRAWN					
CHK'D					
APPV'D					
MFG					
Q.A					
				MATERIAL:	
				WEIGHT:	

TITLE:		A3	
DWG NO.	krusty		
SCALE:			SHEET 10 OF 17

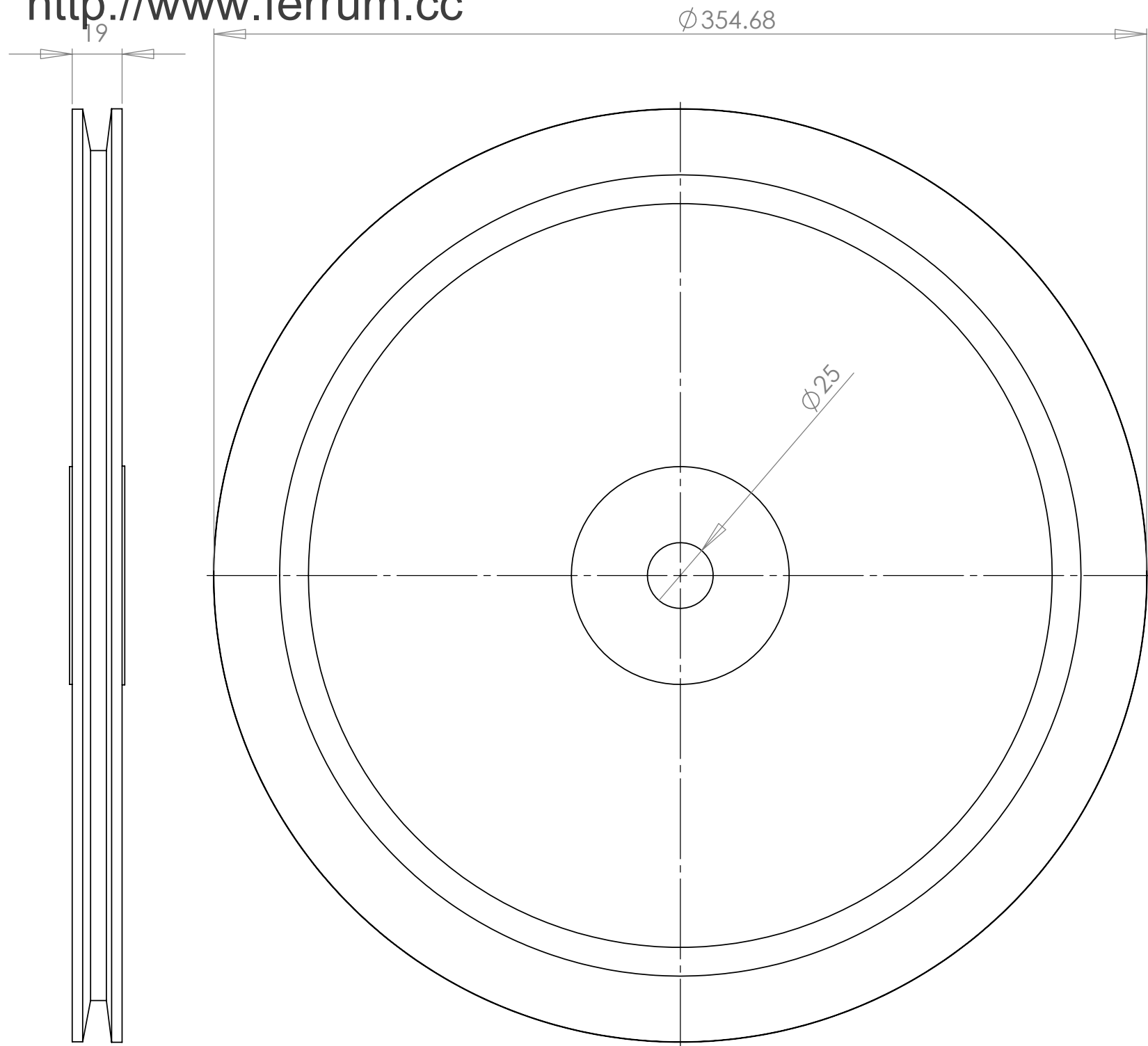
Copyright: FERRUM D. Gentile
<http://www.ferrum.cc>



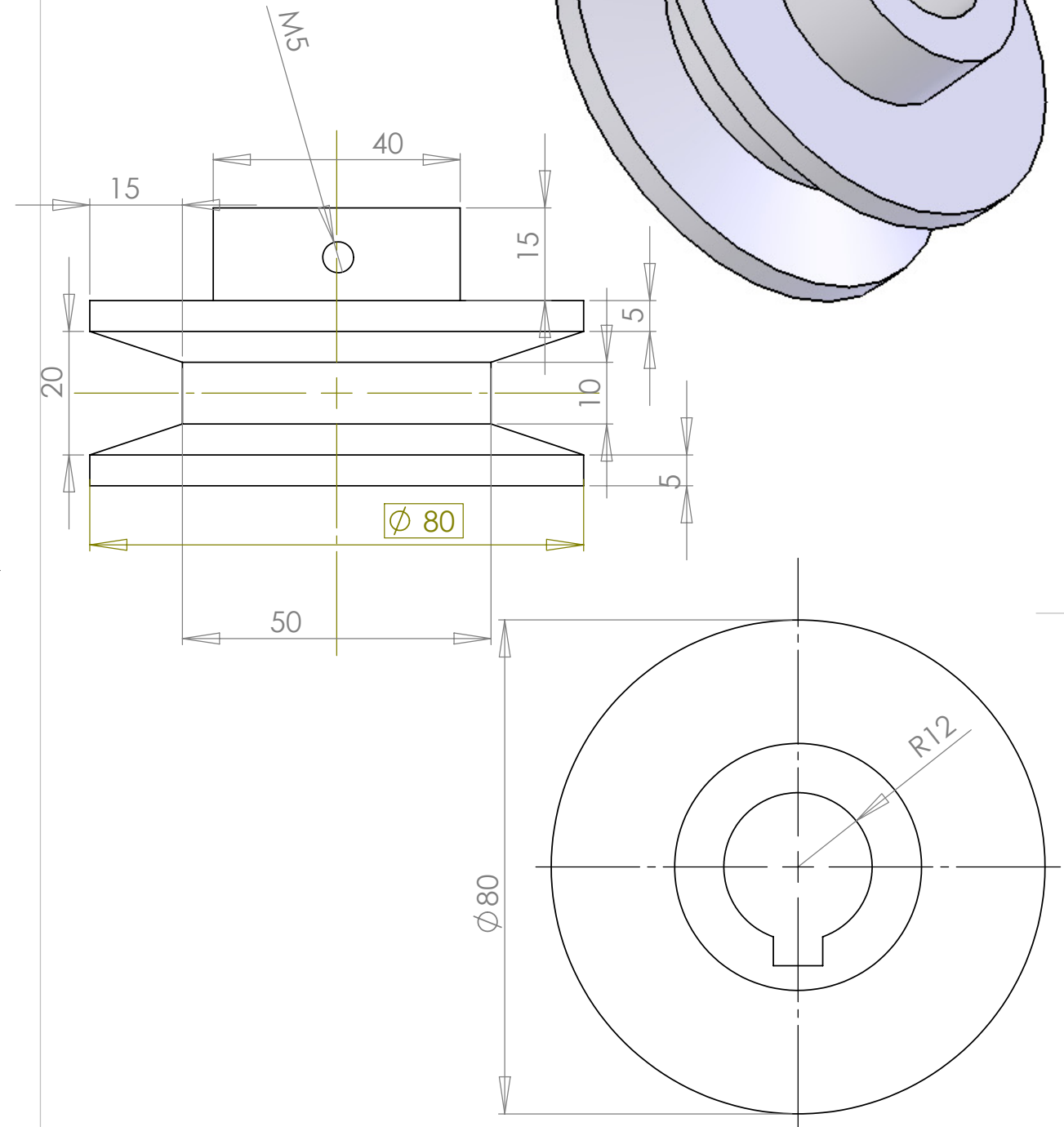
UNLESS OTHERWISE SPECIFIED: DIMENSIONS ARE IN MILLIMETERS SURFACE FINISH: TOLERANCES: LINEAR: ANGULAR:				FINISH:		DEBUR AND BREAK SHARP EDGES		DO NOT SCALE DRAWING		REVISION	
DRAWN								FERRUM D. Gentile Schwungrad krusty			
CHK'D											
APPV'D											
MFG											
Q.A											
NAME				SIGNATURE		DATE		DWG NO.		A3	
MATERIAL:				WEIGHT:				SHEET 11 OF 17			

Copyright: FERRUM D. Gentile

<http://www.ferrum.cc>



Motor Keilriemenscheibe (1:1)



UNLESS OTHERWISE SPECIFIED:
DIMENSIONS ARE IN MILLIMETERS
SURFACE FINISH:
TOLERANCES:
LINEAR:
ANGULAR:

FINISH:

DEBUR AND
BREAK SHARP
EDGES

DO NOT SCALE DRAWING

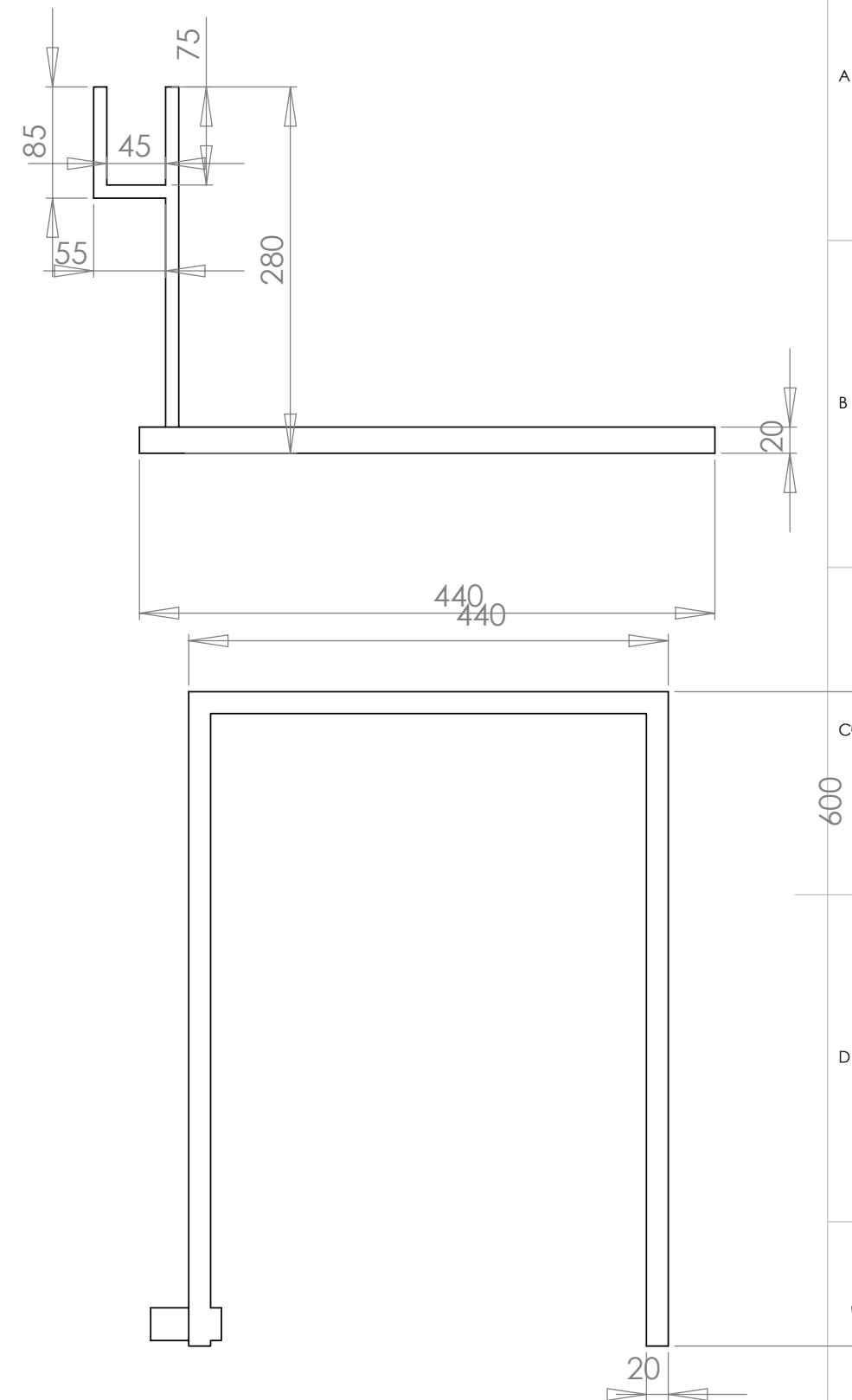
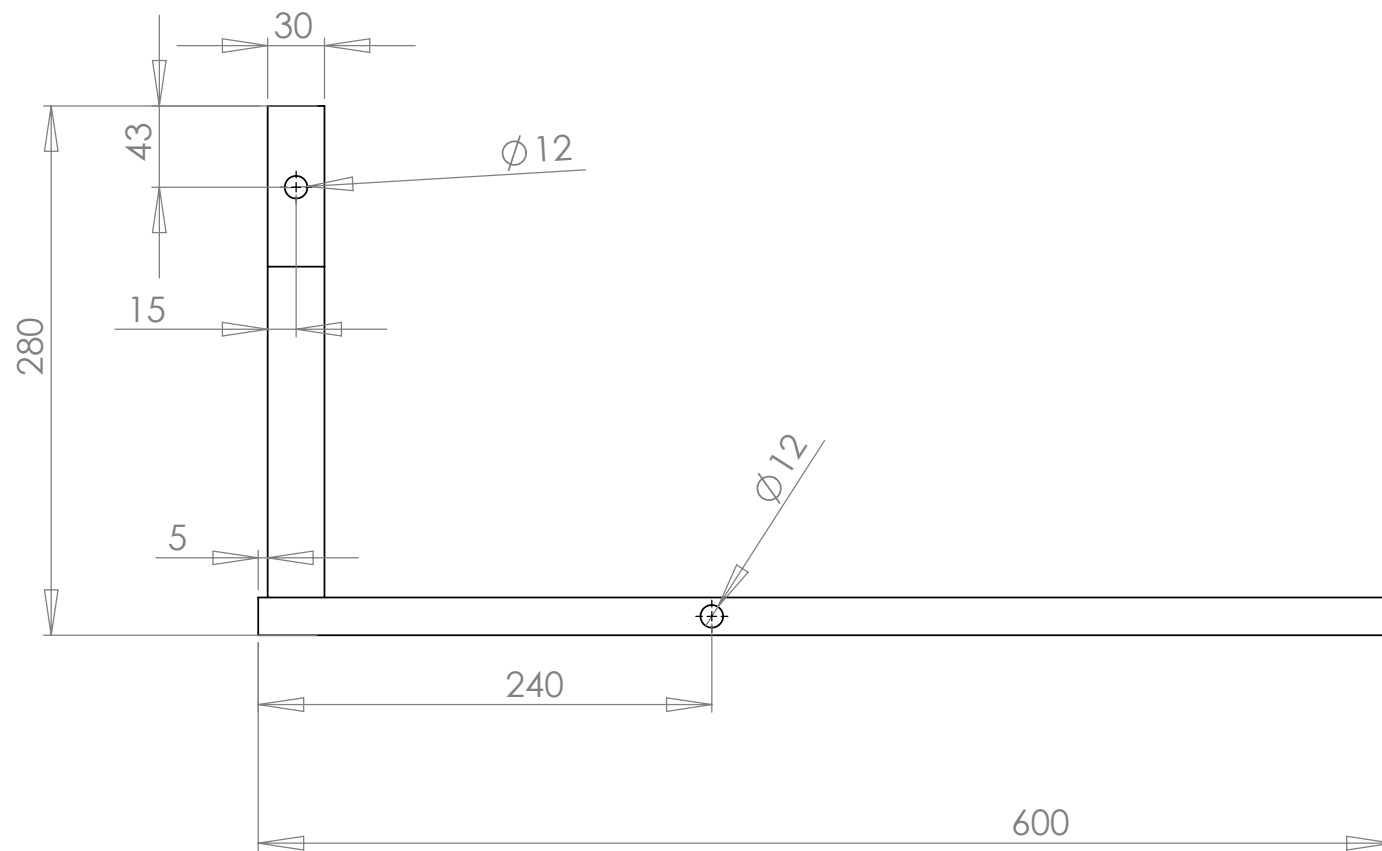
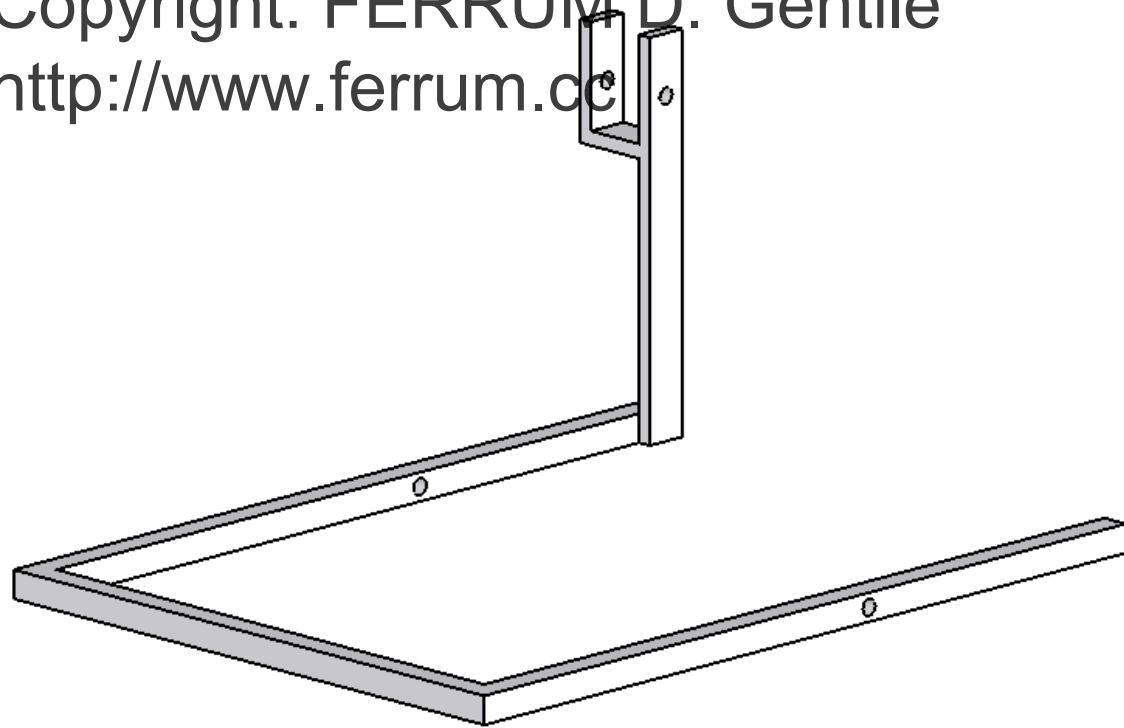
REVISION

FERRUM D. Gentile

NAME	SIGNATURE	DATE			
DRAWN					
CHK'D					
APPV'D					
MFG					
Q.A					
				MATERIAL:	
				WEIGHT:	

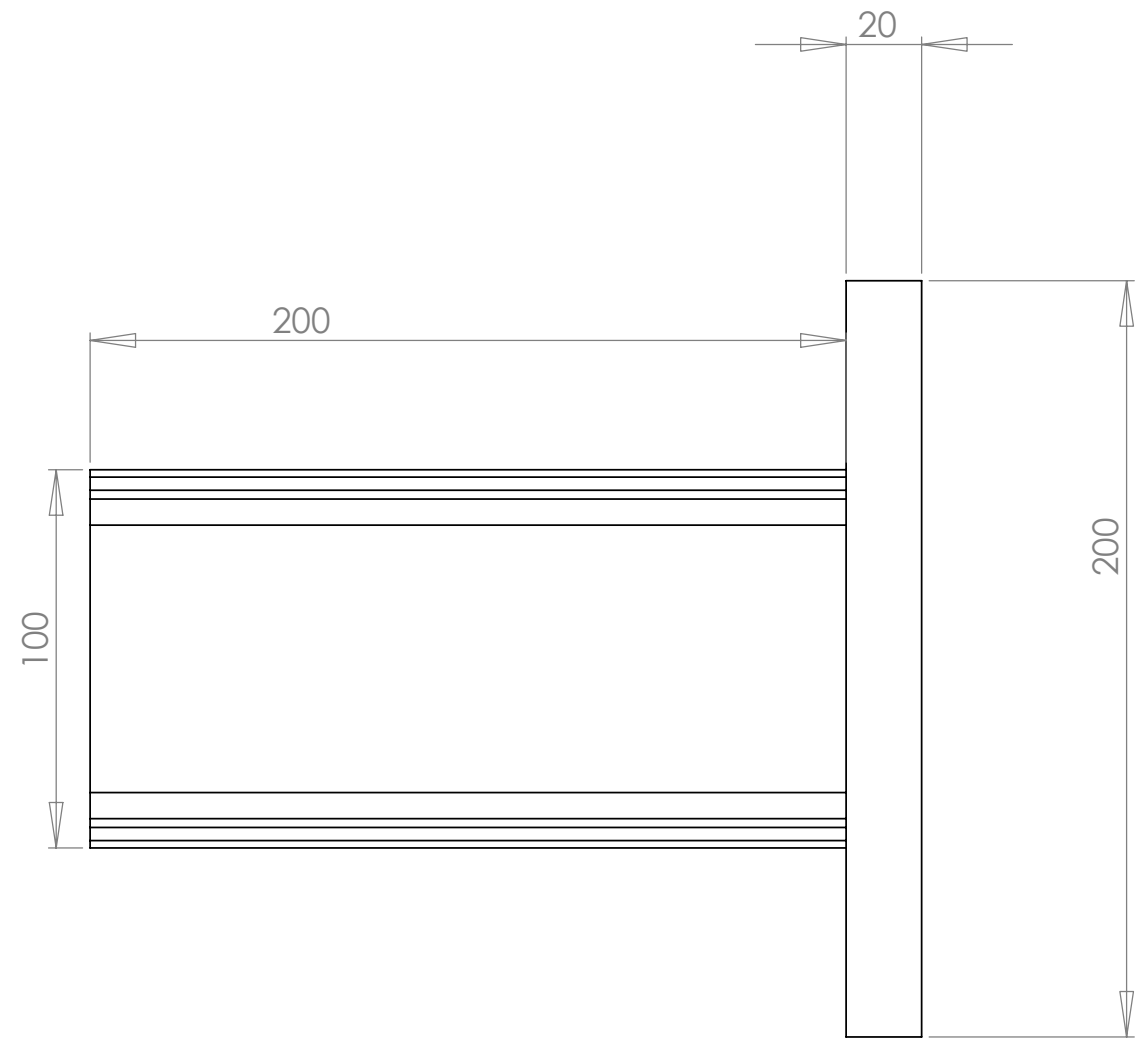
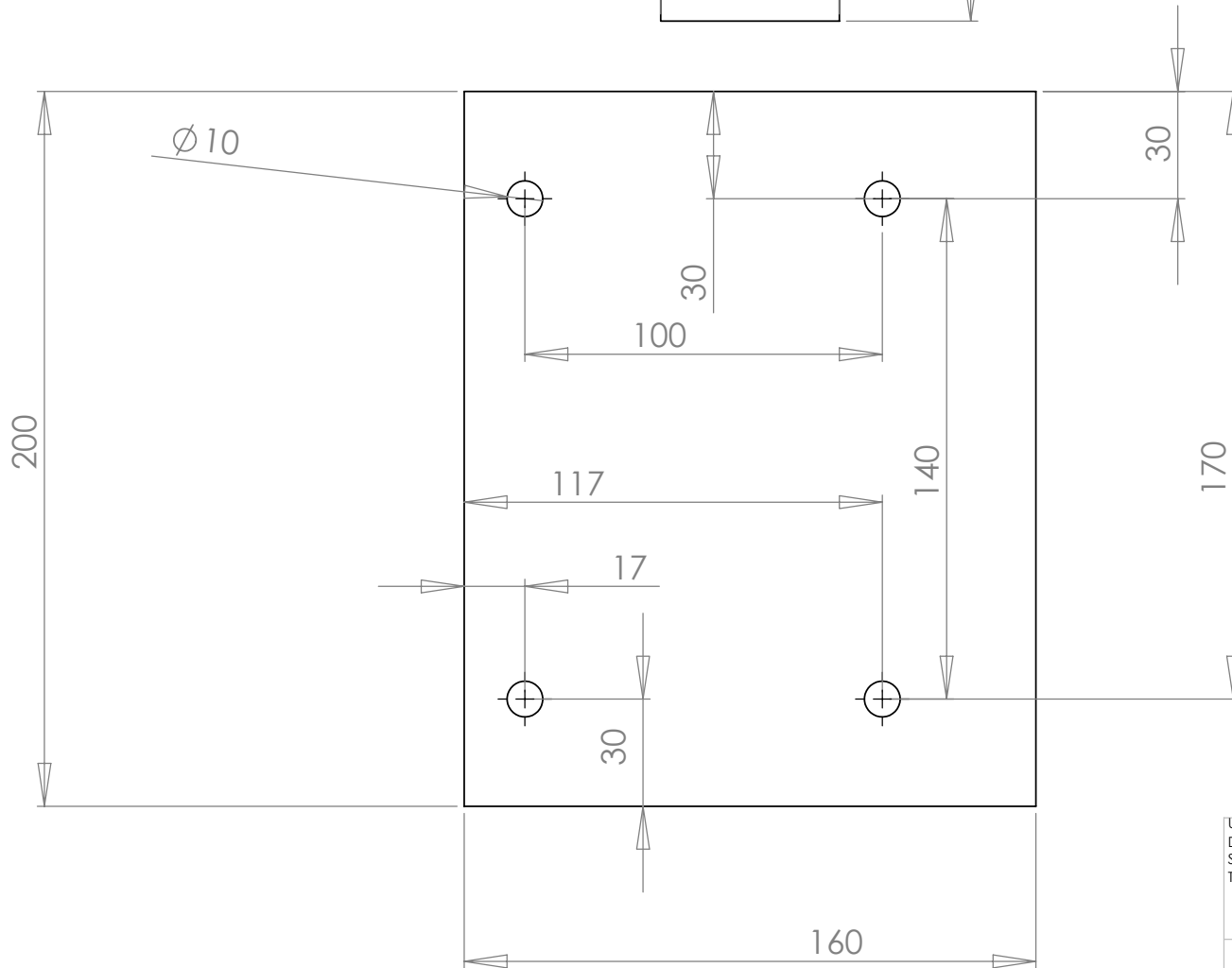
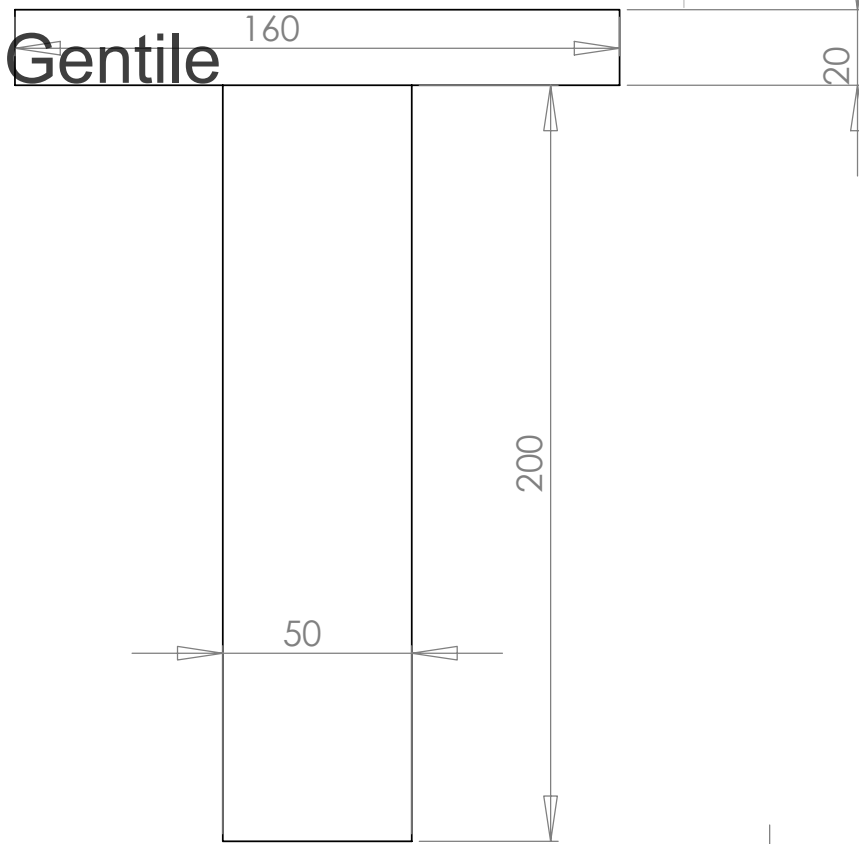
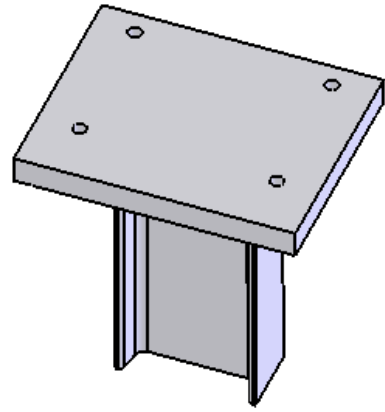
TITLE:	Antriebsräder	
DWG NO.	krusty	A3
SCALE:		SHEET 12 OF 17

Copyright: FERRUM D. Gentile
<http://www.ferrum.cc>



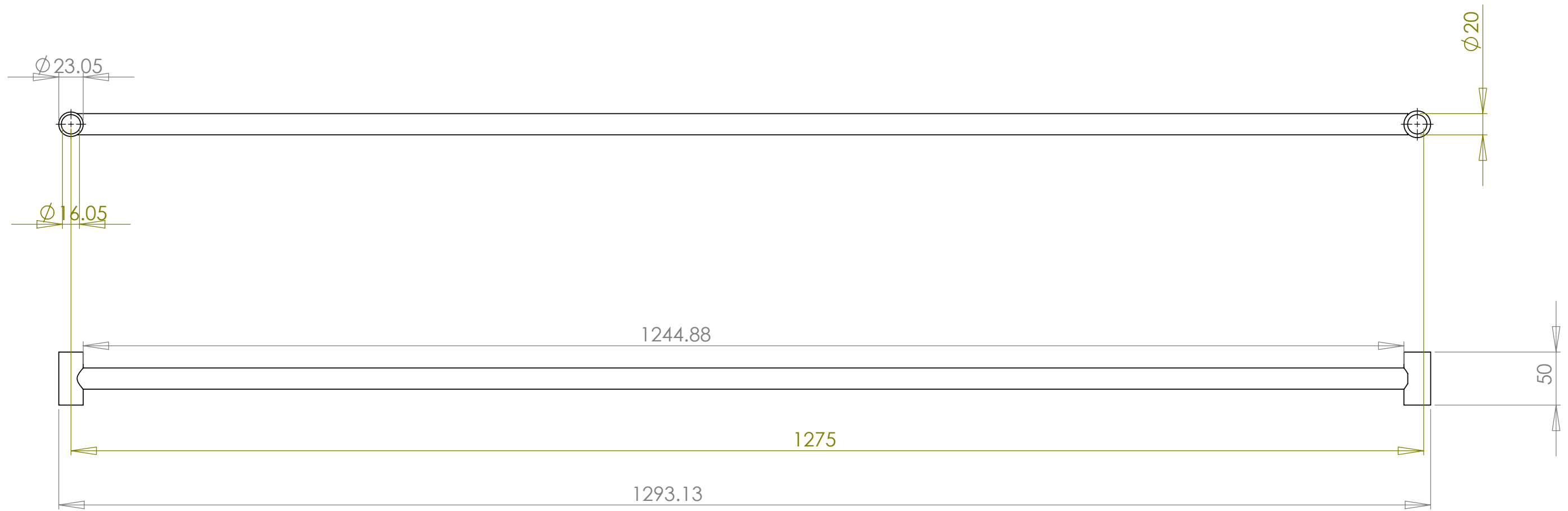
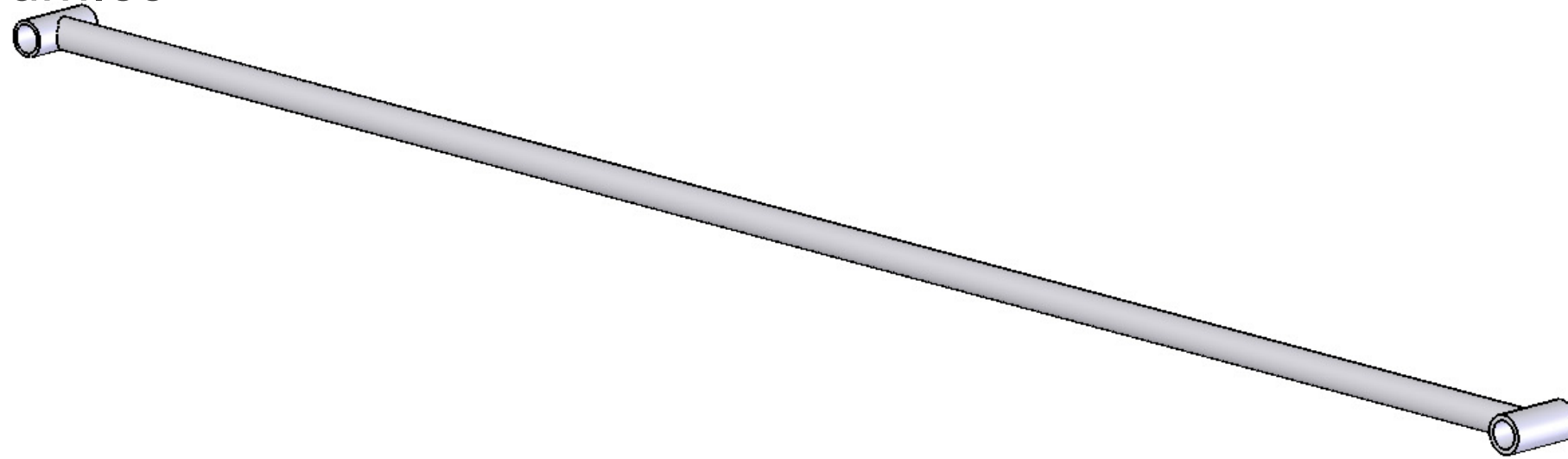
UNLESS OTHERWISE SPECIFIED: DIMENSIONS ARE IN MILLIMETERS SURFACE FINISH: TOLERANCES: LINEAR: ANGULAR:				FINISH:		DEBUR AND BREAK SHARP EDGES		DO NOT SCALE DRAWING		REVISION	
DRAWN								TITLE:			
CHK'D								FERRUM D. Gentile			
APPV'D											
MFG								Fusspedal			
Q.A											
MATERIAL:								DWG NO.		A3	
WEIGHT:								SCALE		SHEET 13 OF 17	
krusty											

Copyright: FERRUM D. Gentile
<http://www.ferrum.cc>



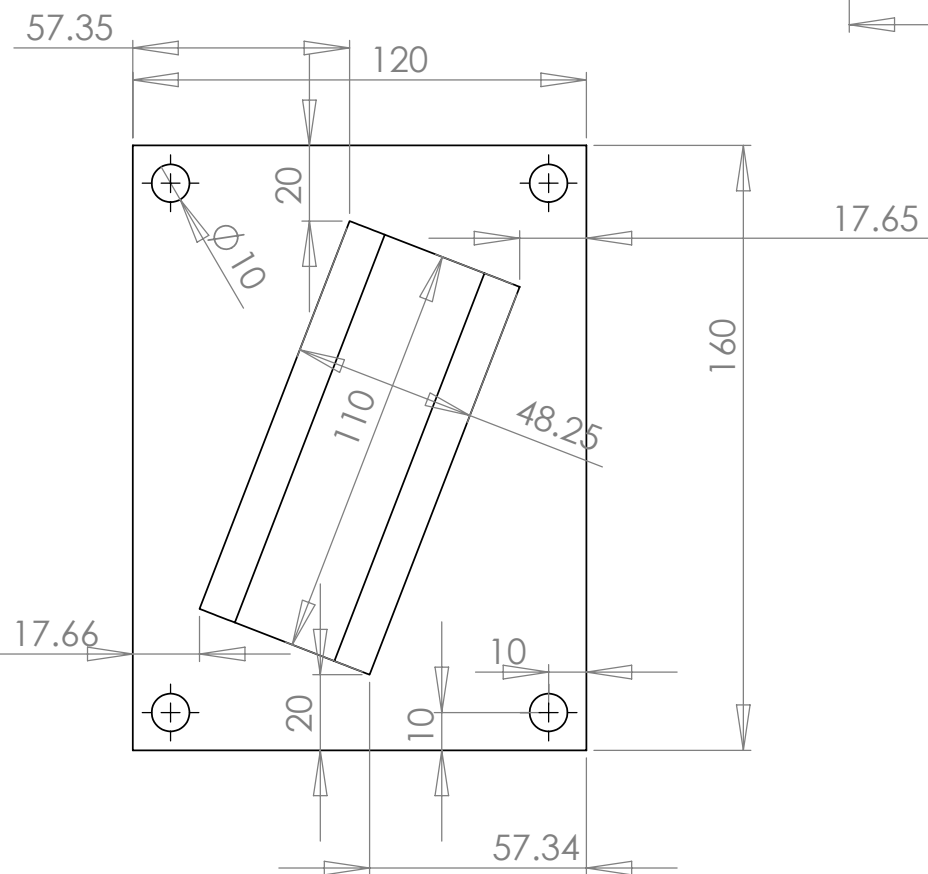
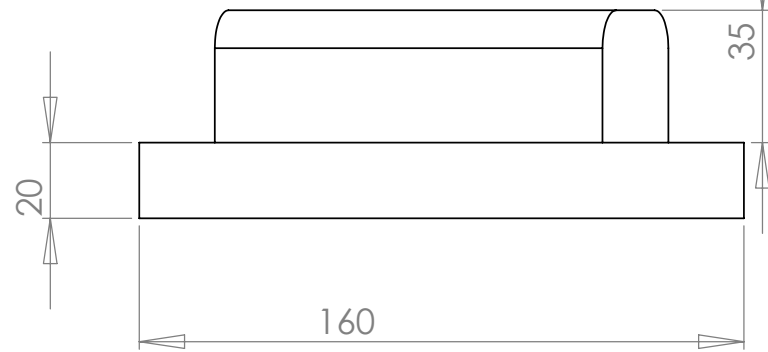
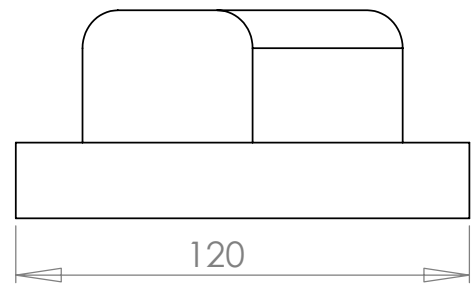
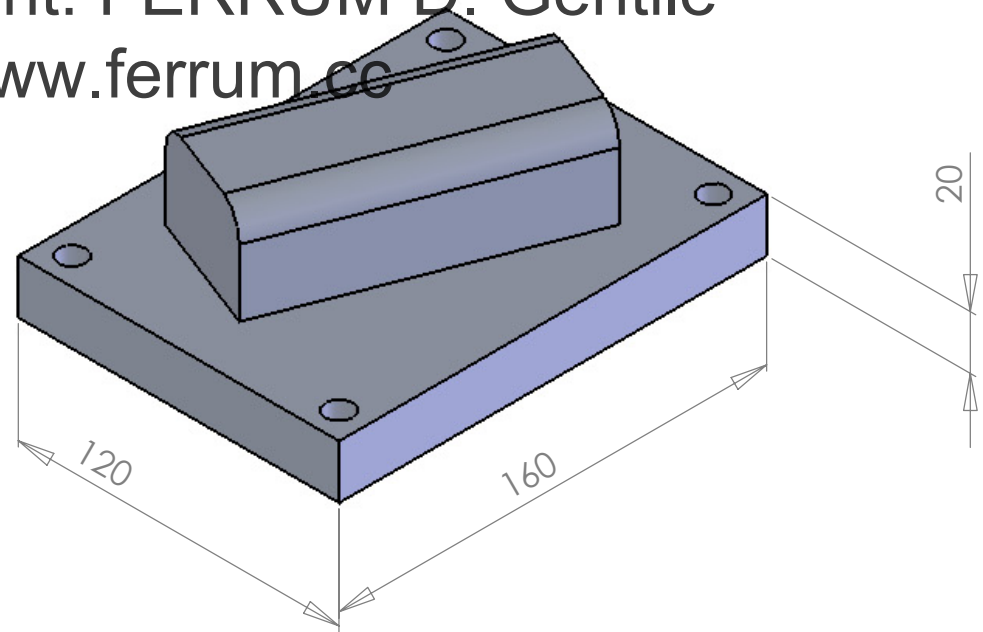
UNLESS OTHERWISE SPECIFIED: DIMENSIONS ARE IN MILLIMETERS		FINISH:		DEBUR AND BREAK SHARP EDGES		DO NOT SCALE DRAWING		REVISION	
SURFACE FINISH:									
TOLERANCES:									
LINEAR:									
ANGULAR:									
DRAWN		NAME	SIGNATURE	DATE		TITLE:			
CHK'D						Motorhalter			
APPV'D									
MFG									
Q.A					MATERIAL:	DWG NO.		A3	
						krusty			
					WEIGHT:	SCALE:		SHEET 14 OF 17	

Copyright: FERRUM D. Gentile
<http://www.ferrum.cc>

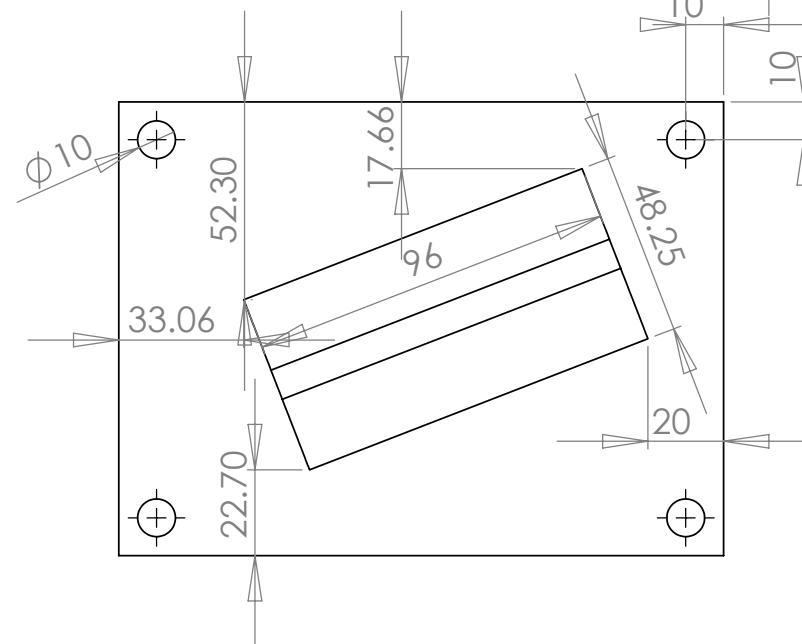
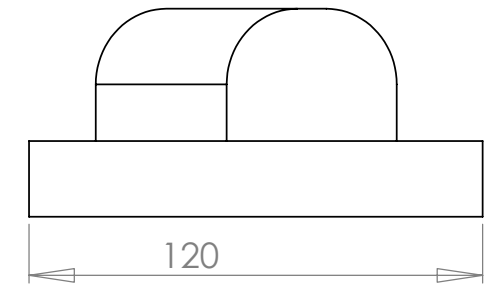
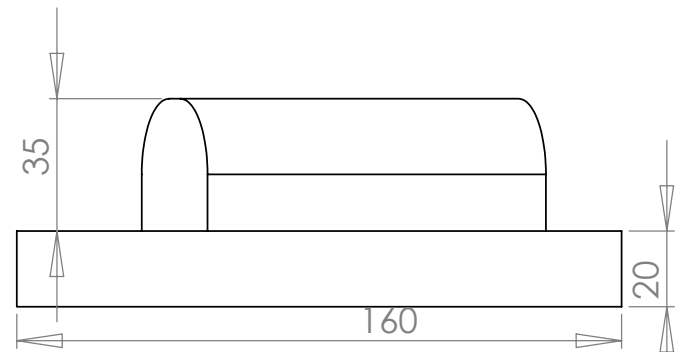
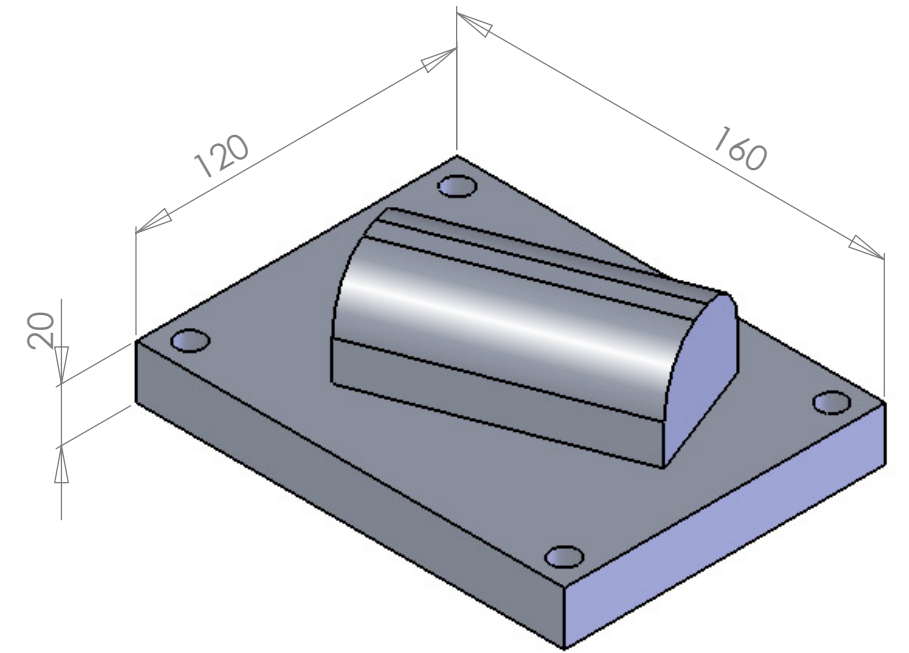


UNLESS OTHERWISE SPECIFIED: DIMENSIONS ARE IN MILLIMETERS		FINISH:		DEBUR AND BREAK SHARP EDGES		DO NOT SCALE DRAWING		REVISION	
SURFACE FINISH:									
TOLERANCES:									
LINEAR:									
ANGULAR:									
DRAWN		NAME	SIGNATURE	DATE			TITLE:		
CHK'D							FERRUM D. Gentile		
APPV'D							Verbindungsarm		
MFG							krusty		
Q.A					MATERIAL:		DWG NO.		A3
							SCALE:		
					WEIGHT:				SHEET 15 OF 17

Copyright: FERRUM D. Gentile
<http://www.ferrum.cc>

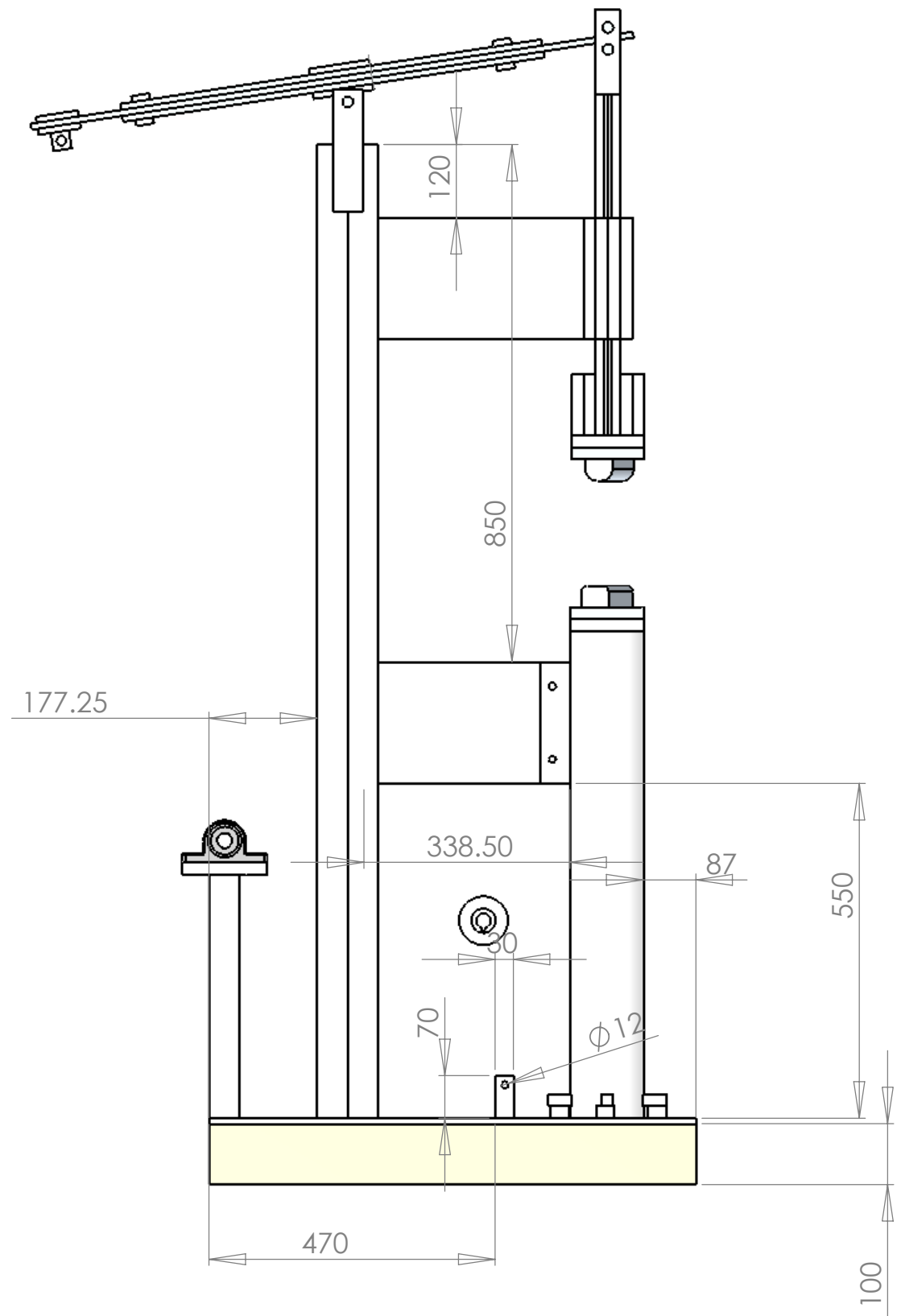
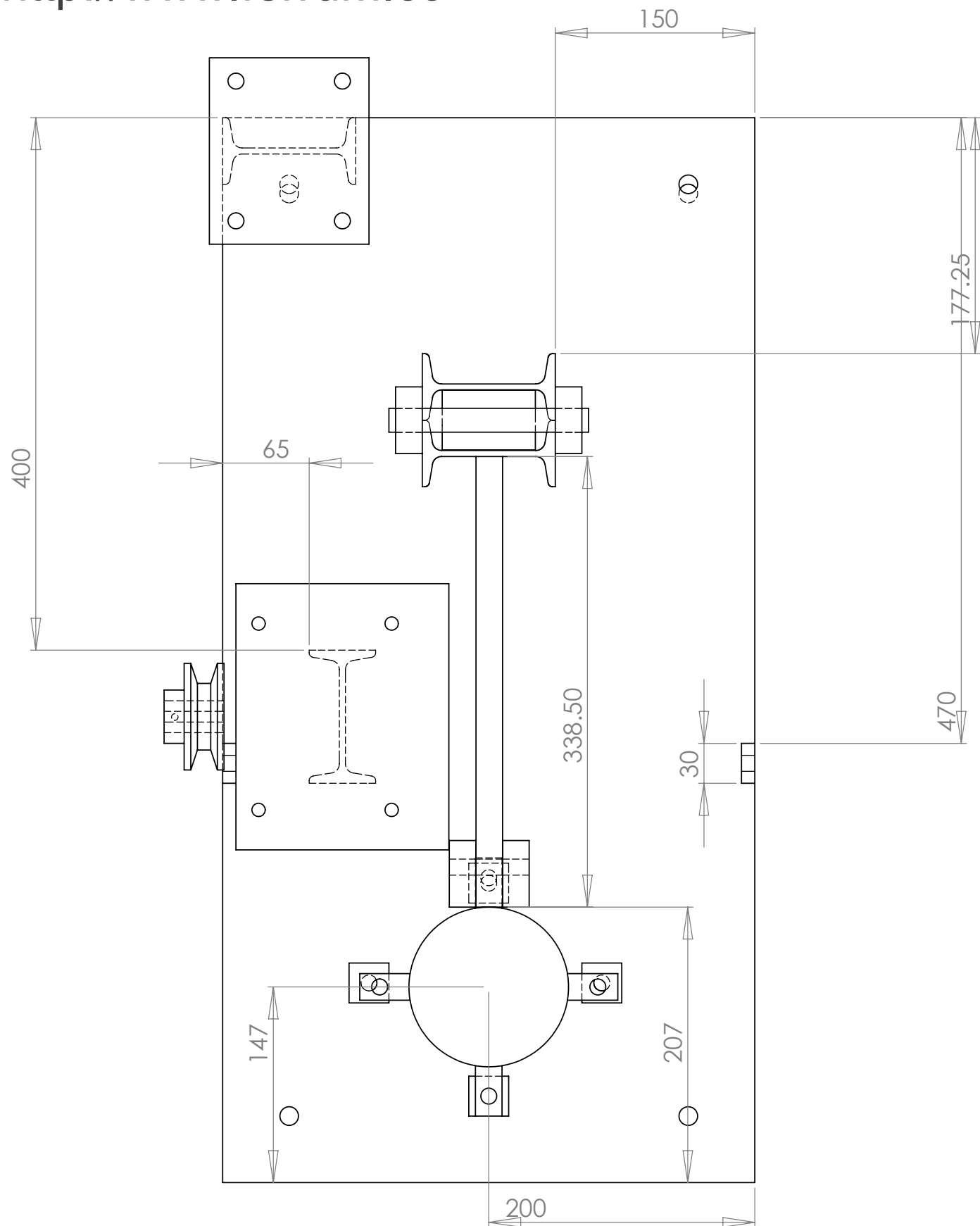


Obergesenk
 Ballig



UNLESS OTHERWISE SPECIFIED: DIMENSIONS ARE IN MILLIMETERS		FINISH:		DEBUR AND BREAK SHARP EDGES		DO NOT SCALE DRAWING		REVISION	
SURFACE FINISH:									
TOLERANCES:									
LINEAR:									
ANGULAR:									
DRAWN		NAME	SIGNATURE	DATE			TITLE:		
CHK'D							FERRUM D. Gentile		
APPV'D							Standard Gesenke		
MFG							DWG NO.		
Q.A					MATERIAL:		krusty		
					WEIGHT:		SCALE:		
							SHEET 16 OF 17		

Copyright: FERRUM D. Gentile
<http://www.ferrum.cc>



UNLESS OTHERWISE SPECIFIED: DIMENSIONS ARE IN MILLIMETERS SURFACE FINISH: TOLERANCES: LINEAR: ANGULAR:				FINISH:	DEBUR AND BREAK SHARP EDGES	DO NOT SCALE DRAWING	REVISION
						FERRUM D. Gentile	
						TITLE: Montage - Krusty	
DRAWN	NAME	SIGNATURE	DATE			DWG NO.	krusty
CHK'D							A3
APPV'D							
MFG							
Q.A				MATERIAL:			
				WEIGHT:		SCALE:	SHEET 17 OF 17